

V4 Next Generation Ceiling Hoist



Manufactured by one of the worlds leading ceiling hoist companies, the new revolutionary V4 ceiling hoist takes patient handling to the next level. The V4 is one of the smallest track hoists on the market with many unique functions that provide a quick, efficient and flexible patient handling solution.



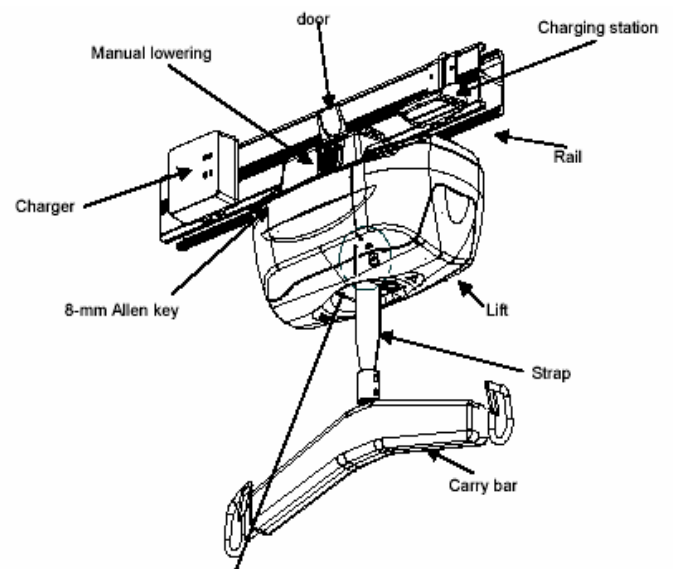
The innovative V4 ceiling hoist is one of the smallest systems on the market, which ensures a discreet, unobtrusive installation.

The unique programmable return-to-charge ensures that with a simple press of a button, the V4 will automatically and safely return to the charging station, saving the carer time and ensuring the hoist is always charged.

A simple clip-on charging point means the hoist can be set to be charged at any point on the rail, no more having to transport the hoist down to one end of the track to charge.

Compact Innovative Flexible

- Compact, discreet design
- Return to charge function
- Manual and Powered traverse
- Infra-red option
- Programmable speed and return to charge
- Unique Kwiktrak™ system
- 200kg / 32st capacity (454kg/71st version)
- Easy serviceability
- Industry leading safety features



The unique, patented Kwiktrak is designed to work with the V4 and allows, quick easy installation of any multiple of track scenerios.



The new compact Kwiktrak ensures a discreet installation and the patented bracket ensures smooth track joints for optimum patient comfort

- Full range of track options
- Extra small track design
- Charging point can be positioned anywhere on track
- Patented Kwiktrak bracket system for cost-effective installation
- Compact radius of curves for small bedrooms and bathrooms
- Unique battery powered any-angle turntable and Y junction
- Special design to ensure smooth ride between track junctions



Powered by the hoist, both the electric turntable and exchanger are easily installed and allow an endless variation of options.



The unique clip-on charger can be positioned anywhere on the track, providing flexibility and ensuring the hoist is always where you want it.



The patented Kwiktrak bracket system allows quick, clean and efficient installation of the track, on any ceiling structure.



The easily installed XY system has one of the smoothest transfer mechanisms on the market, allowing easy all-room access.



A combination of 2m, 3m, 4.5m and 6m track lengths along with curves, turntables, exchangers and wall mounts ensure any installation can be achieved.



The compact radius of the curves (over 40% smaller than most of the competition) ensures even the most difficult of rooms can be covered

Lifting Capacity	200kg / 31.5 stone (454kg 71st version available)
Depth	28cm (from ceiling to bottom of hoist cover)
Width	25cm
Power	Rechargeable battery (charger included)
Hoist Options	Manual or Powered Traverse, Infra-Red Full range of Slings, Stretchers and Walking Harness
Track Options	2m / 3m / 4.5m / 6m Track Lengths 45 / 90 degree curves, Powered turntable and Y Junction Wall Brackets, XY System



European Office
 14 Cross St, London, SW13 0PS
 UNITED KINGDOM
 Tel +44 (0)208 241 9546
 Fax +44 (0)870 161 9681
 Email europa@bhm-medical.com
www.bhm-medical.com