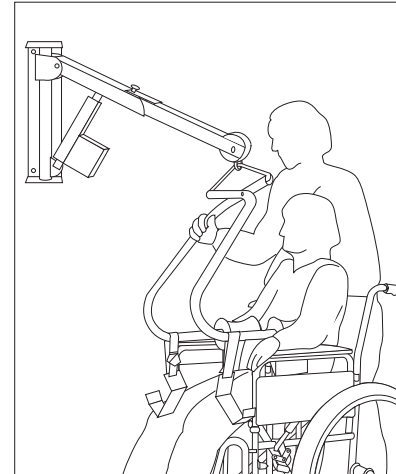


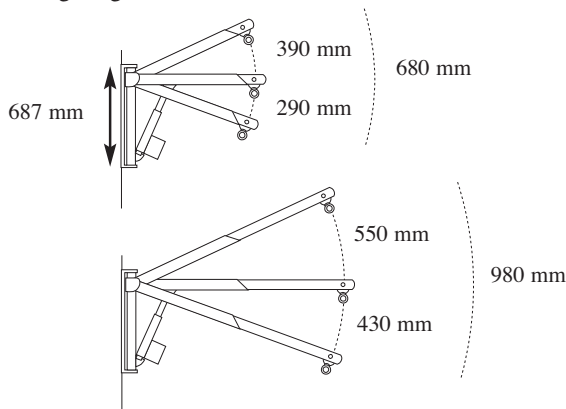
1.5.3. Wall lift

- Portable lifting device
- Wall or floor mounted
- Easy to remove and re-use
- Perfect for areas where access is restricted
- Accomodates both the SUREHANDS® body support and conventional slings
- Extendible boom arm
- Rotates 180°
- An economical solution
- Three attachment possibilities
 - Mounted on wallplate(s)
 - Mounted on vertical support bar (s)
 - Wallplate + extension piece for a greater reach



Dimensions and specifications

Safe working load:		145 kg
Power unit for semi-continuous use:	actuator directly on the mains power with pneumatic handcontrol	
Power unit for continuous use:	actuator on 24 V DC transformer with emergency power facilities and electric handcontrol	
Wall plate:	width	140 mm
	height	687 mm
Standing support:	outside dimensions	80 x 50 mm
	max. height	3000 mm
Boom arm:	extendible: min 950mm / max 1300mm	
Weight:	16 kg	
Built-in safety mechanism:	lowering procedure is stopped by an obstruction	
Emergency down:	mechanical	
Emergency stop:	mechanical	
Lifting range:	see drawing below	



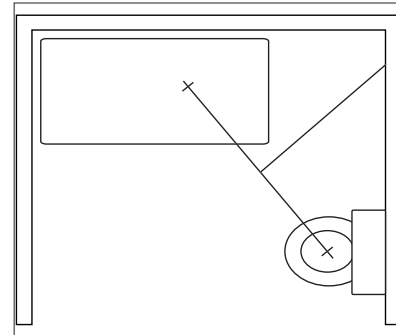
3. Wall lift installations

3.1. On the wall

3.1.1. Installation instructions

It is better to carry out the horizontal installation of the lift based on a small sketch of the space in which the wall lift is being placed:

- The positions of the planned starting and finishing points should be marked on the sketch, in other words: location of the swivel hook at the starting and finishing point. These points can be defined during preparatory tests with a mobile lift.
- Draw a line connecting both points.
- Draw a perpendicular line through the middle of this line. The spot where this line intersects the wall is the place where the wall lift should be installed.



The set-up of the lift arm needs to equal the radius of the resulting circle and has to be defined between 95 and 130 cm. If the farthest point is rather high up and if the arm is not positioned horizontally but rather high, the radius will be considerably reduced, as shown in the table below. If that is the case, it might be preferable not to follow the above mentioned method implicitly, but to move the wall lift a few more centimetres in the direction of the highest position.

Position	Distance from wall to swivel hook		
	Lowest	Horizontal	Highest
1	92,8	95	85,1
2	94,0	100	89,5
3	98,7	105	93,9
4	103,3	110	98,3
5	108,0	115	102,7
6	112,6	120	107,1
7	117,3	125	111,5
8	121,9	130	115,9

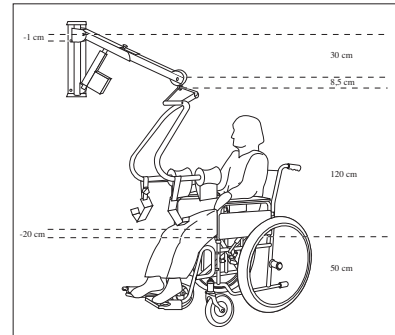
Table: Horizontal range of the arm in inches. According to the stretch of the arm, positions 1 (shortest) through 8 (longest), this table gives you the horizontal distance from the wall to the swivel hook for three positions of the arm: in the lowest position, the horizontal position and the highest position.

One can determine the installation height of the wall plate as follows: determine the height of the top fastening bolts. The determining point is the lowest position one has to reach for the transfer. Is this from the ground up, from the bath or wheelchair,... This point needs to be reached in the lowest arm position, otherwise the person just floats above it.

To the height of the lowest point one has to add successively:

- 120 cm from the seat of the person to the swivel hook
- 8,5 cm from the swivel hook to the middle of the arm
- 30 cm for the lowest arm position vis-à-vis the horizontal position
- -1 cm from the horizontal position to the screws.

One also has to take into account that in this way the person only just touches the bath. If you want to reach a sitting position and if you want to be able to fasten or loosen the sling straps, you have to deduct a further 7.9 inch.



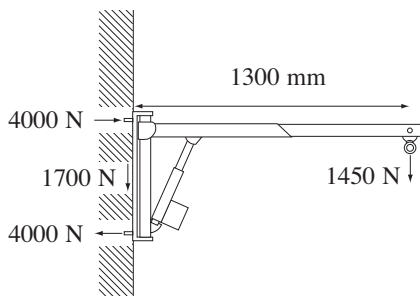
Example of a transfer wheelchair-hospital bed. The seat of the wheelchair is 50 cm high, the bed is 80 cm high. That means the wheelchair is the determining point. The result is: 50 cm (wheelchair) +120 +8,5 +30 -1 -20 = 187,5 cm. The final positioning should be at 185 cm height to the top bolt holes.

You can follow this rule: height of the lowest point +135 cm.

The average height of most transfer positions is: Bottom of the bath: 10 cm Bed: 45 cm Wheelchair: 50 cm Higher bath or hospital bed: 80 cm

The lifting height that can be reached in this way varies from 44 cm (retracted arm) to 63 cm (stretched arm) respectively.

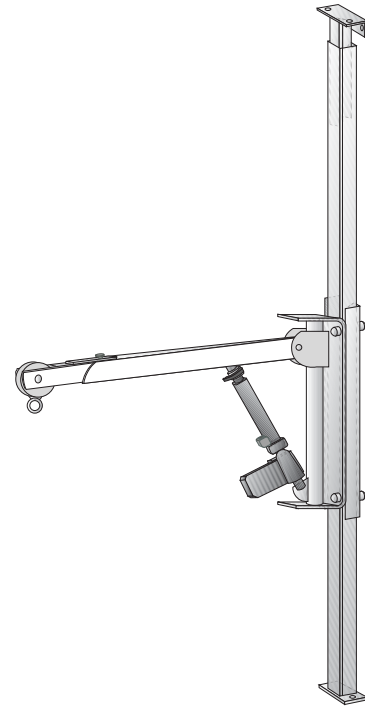
3.1.2. Minimum strength of the wall



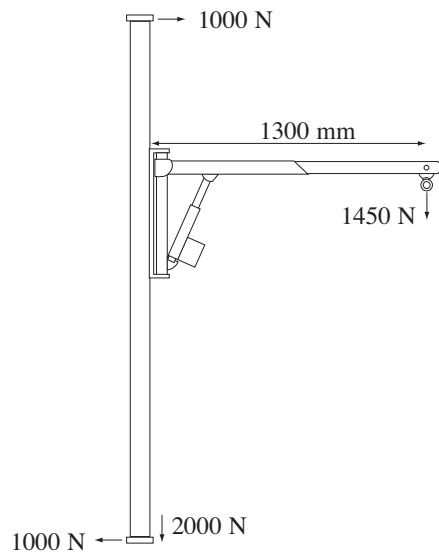
3.2. On a pole

3.2.1. Installation instructions

The wall lift can also be attached to a special pole, if the wall does not meet the minimum requirements. The pole is anchored on the ground at the bottom, while it is attached to both the ceiling and the wall at the top.



3.2.2. Minimum strength of the ceiling and/or wall



5.5. Wall lift

- Attachment in a U-shaped wallplate (14 x 68.7 x 11.5 cm). Plate thickness: 1 cm Threaded rods with a chemical anchor are used for fastening the plate in the wall.
- Arm and wallplate made of white lacquered steel.
- Electrical motor for lifting and lowering, arm can be swivelled manually by 180°.
- Arm that is not under load can be extended by 95 and up to 130 cm.
- Arm can be removed or repositioned easily.
- Weight of the arm: 16 kg
- Maximum safe working load: 145 kg.
- Power is provided directly from a mains connection.
- Pneumatic hand control with magnet.
- Mechanical safety mechanism. Lowering procedure is stopped by an obstruction.
- Emergency stop.
- A swivel hook (eyebolt) made of stainless steel is attached at the end of the arm.
- U-shaped 4-point spreader bar made of stainless steel, for the attachment of suspension loops and slings.

Attachments

- Usable with slings in combination with a fixed 4-point spreader bar (stainless steel) and/or the SUREHANDS® Body support, a stainless steel support with two (2) formed rubber chest supports and two (2) thigh supports. The chest supports automatically close around the users thorax as the users body weight is lifted.
- Both attachments (slings or body support) are interchangeable
- Lifting slings are available in various models and sizes with multiple loops for positioning the user to be lifted from supine or seated positions (or anywhere in between)
- Handling straps on the back of each sling enable the caregiver to position & lower the user in one movement
- The SUREHANDS® Body support is available in Normal, Short and Extra Short sizes