



# Garaventa Accessibility Super-Trac



portable inclined platform wheelchair lift for stairways



The Garaventa Super-Trac is the world's only portable inclined platform lift. It provides instant, affordable accessibility where stairways are a barrier. The unique platform design will accommodate all types of wheelchairs including power, child, sports and conventional adult wheelchairs. Super-Trac is ideal for public and residential buildings.

# Garaventa Super-Trac

The patented Super-Trac climbs up and down stairs on steel-reinforced rubber tracks that are driven by dual, battery-powered motors. Super-Trac can climb up to 30 flights of stairs on a single charge. The large platform accommodates virtually any wheelchair. Simple, well identified controls make Super-Trac operation easy. Safety features, such as an electrically interlocked seat belt and a parking brake, ensure passenger security.

## Headrest

Adjustable for passenger comfort.

## Control Panel

Simple operating controls include a battery charge indicator and a key switch to prevent unauthorized use.



## Seatbelt

Electrically interlocked seatbelt provides additional passenger security. Super-Trac will not operate unless seatbelt is fastened.

## Battery Powered

Power is provided by 24 volt rechargeable battery for complete portability. Includes automatic battery charger.



## Wheelchair Tie-Down Straps

Wheelchair is securely attached to platform with 4 adjustable tie-down straps.

## Auxiliary Wheels

Wheels allow easy travel across landings and between flights of stairs.

## Platform

Large platform accommodates virtually any wheelchair, including electric models and sports chairs.

## Tracks

Rubber tracks are steel-reinforced to ensure strength and durability. The unique tread design grips all types of stair designs and materials.

## Loading Ramp

An integrated loading ramp with non-skid surface makes wheelchair boarding easy.

## Parking Brake

Electrically activated parking brake ensures stability during boarding.

## Hydraulic Leveling

A powerful hydraulic piston adjusts the wheelchair platform position for travel on the stairs.





# Portable Inclined Platform Wheelchair Lift

The Garaventa Super-Trac can instantly solve your accessibility problems. It does not require any expensive and time consuming building renovations or installation permits. Super-Trac costs a fraction of a permanently installed lift or elevator. The portable design means there is no permanent impact on stair width or building egress. Super-Trac can be easily moved from one stairway to another, or even to a different building as your accessibility requirements change.



Super-Trac is simple to use. As shown in this sequence, a small operator can easily transport a passenger in a heavy power wheelchair up and down stairs. Above, the passenger has boarded the platform using the integrated ramp. The wheelchair is being secured using 4 adjustable tie-down straps. An electrically interlocked seat belt provides additional passenger security.

Once Super-Trac is loaded it can be easily rolled across flat surfaces, such as stair landings, using the auxiliary wheels. When not in use Super-Trac can be wheeled into a storage room. In this photo, Super-Trac has been rolled to the base of the stairway. The operator will then tilt the platform, using the hydraulic tilt control, and begin climbing the stairs.

Super-Trac climbs stairs up to a maximum angle of 35 degrees. When on the stairs, the passenger sits in a comfortable, level position. Dual electric motors will propel Super-Trac up 30 flights of stairs on a single charge. The wide track design provides excellent stability on the stairs. No exertion is required on the part of the operator who simply guides Super-Trac.

## FEATURES

- Large platform will accommodate virtually any wheelchair, including electric and sports chairs
- Integrated non-slip loading ramp
- Powerful dual motors carry up to 440 lbs (200 kgs)
- Rechargeable battery and charger
- Operates on indoor and outdoor stairways
- Wide, double tracks securely grip stairs
- Large wheels allow easy travel across landings between stair flights
- Integrated tie-down straps and seatbelt hold wheelchair securely on platform
- Adjustable headrest
- Simple, easy to use controls
- Robust commercial design

## BENEFITS

- Instant accessibility solution
- Economical compared to elevators and custom designed wheelchair lifts
- Requires no building renovations, no installation permits or licenses
- No permanent impact on stairway egress width
- A single unit provides access into many buildings
- Easily stored in a secure area when not in use
- Requires minimal maintenance compared to an elevator or wheelchair lift
- Great backup system for evacuation if power fails

# SUPER-TRAC - Portable Inclined Platform Wheelchair Lift

## Free Super-Trac Video



Call or email us today for a free product video showing the Garaventa Super-Trac in action!

Visit our web site at [www.garaventa.ca](http://www.garaventa.ca) to see

- Detailed Product Information
- Application Photo Section
- Design Specifications
- CAD Files
- Design and Planning Guides
- Streaming Videos
- AIA Continuing Education

Email Address  
[productinfo@garaventa.ca](mailto:productinfo@garaventa.ca)

## Dealer Network

Garaventa's network of authorized dealers are available to assist you with product demonstrations, training and after-sales service.

## Patents

US Patent: 5197558  
CDN Patent: 2047970

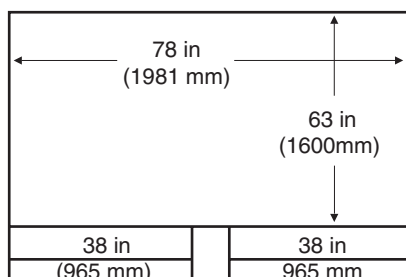
## Garaventa Accessibility

PO Box 1769,  
Blaine WA 98231-1769  
7505 134A Street, Surrey, BC  
Canada V3W 7B3  
Phone: 1+(604) 594-0422  
Toll Free: 1-800-663-6556  
Fax: 1+(604) 594-9915  
Web site: [www.garaventa.ca](http://www.garaventa.ca)

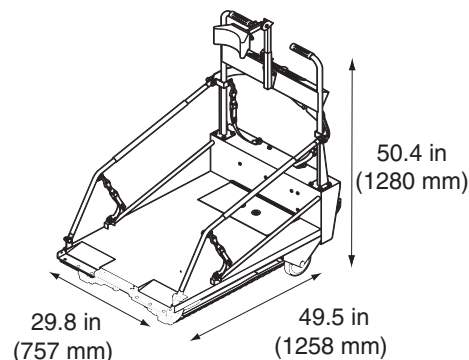
©2004 Garaventa. As we are continuously improving our products, specifications outlined in this brochure are subject to change without notice.

15802-C-PB

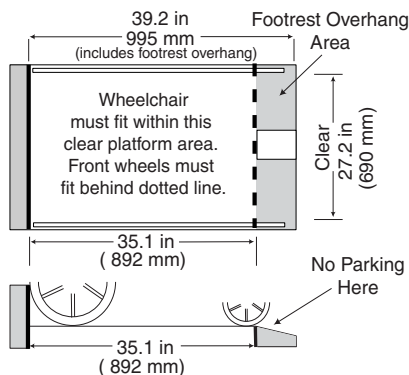
## Stair Turnback Dimensions



## Machine Dimensions



## Wheelchair Clearances



The Garaventa Super-Trac can also be used outdoors to provide a portable accessibility solution for public buildings or private residences.

## Specifications

Max Capacity ..... 440 lbs/200kgs  
Max Stair Angle ..... 35°  
Power ..... Sealed Batteries 24 v  
Charging ..... Automatic 115/230 vac  
Brake ..... Fail-safe Electromagnetic  
Weight ..... 253 lbs (115 kgs)  
Speed Up ..... 21.4 ft (6.5 m) / min  
Speed Down ..... 34.7 ft (10.6 m) / min

## Other Garaventa Accessibility Products



## Garaventa Stair-Trac

Designed to transport standard, manual wheelchairs, the Stair-Trac is very compact and easy to use. Similar in design to the Super-Trac, it provides an economical way for an attendant to move a person in a wheelchair up and down stairs.

Contact your authorized Garaventa representative for more information.

Authorized Garaventa Representative