

# CHAPTER 12 : OXFORD MERMAID & RANGER

---



Sunrise Medical is ISO 9001 certified, which ensures quality at all stages of the development and production of this hoist.

## Contents

MODEL	SERIAL NO. RANGE	PAGE
OXFORD MERMAID AND RANGER - MANUAL		12.3
OXFORD MERMAID AND RANGER - MANUAL		12.5
OXFORD MERMAID AND RANGER - MANUAL		12.7
OXFORD MERMAID AND RANGER - ELECTRIC		12.9
RANGER CHAIR		12.11

## IMPORTANT

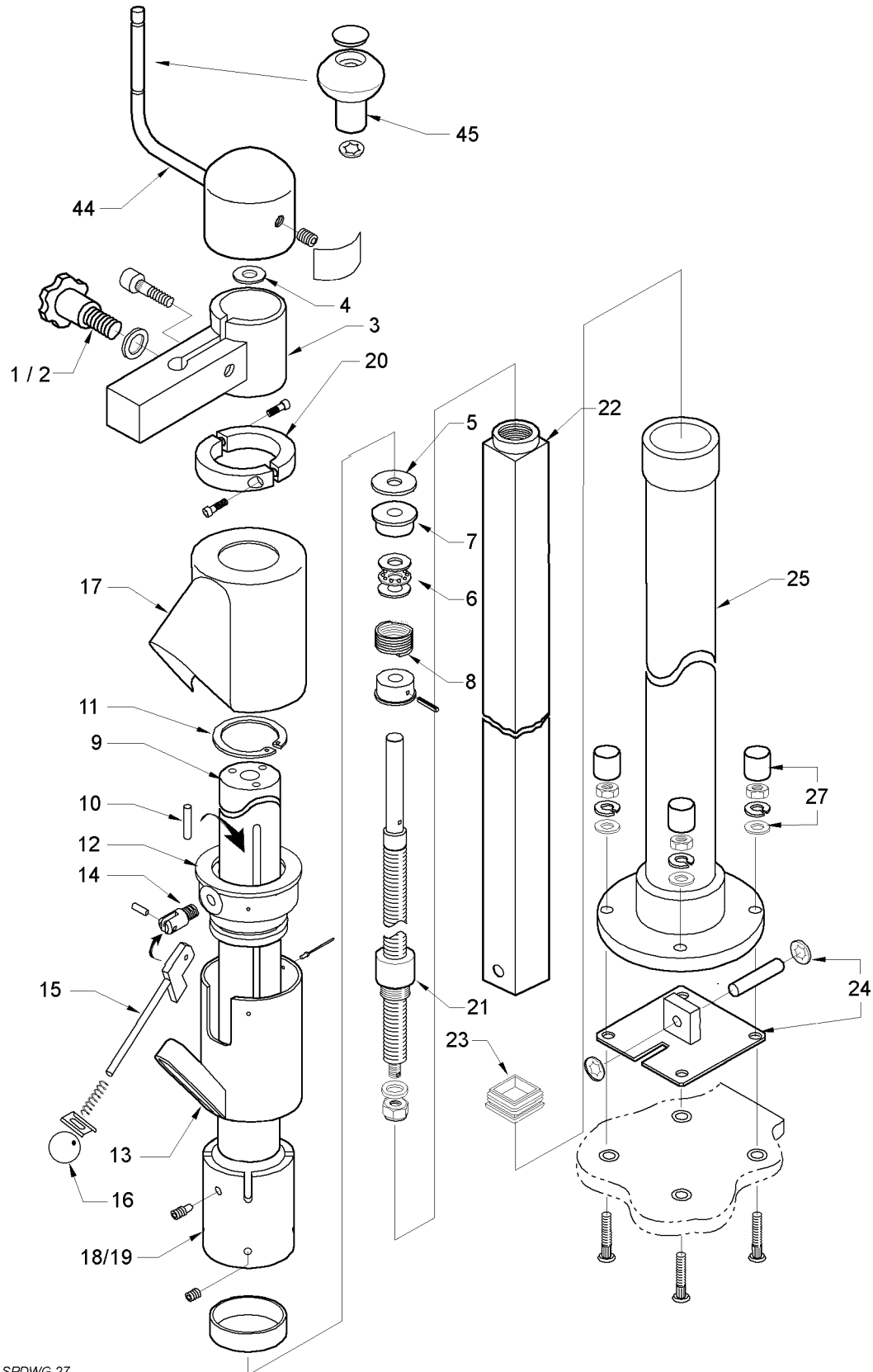
IT IS POTENTIALLY HAZARDOUS TO FIT OR USE ANY PARTS OTHER THAN GENUINE **SUNRISE MEDICAL PARTS**. THE COMPANY DISCLAIMS ALL LIABILITY FOR THE CONSEQUENCES OF SUCH USE, WHICH IN ADDITION VOIDS THE MACHINE WARRANTY.

THIS HOIST IS FOR THE CARRIAGE OF ONE PERSON AND **MUST NOT** BE USED FOR ANY OTHER PURPOSE.

# OXFORD MERMAID & RANGER ATTENDANT OPERATED - MANUAL



This illustration and accompanying text set out in this Document is the Property of SUNRISE MEDICAL LTD. and must not be copied or used for manufacturing, tendering or any other purpose without their permission.



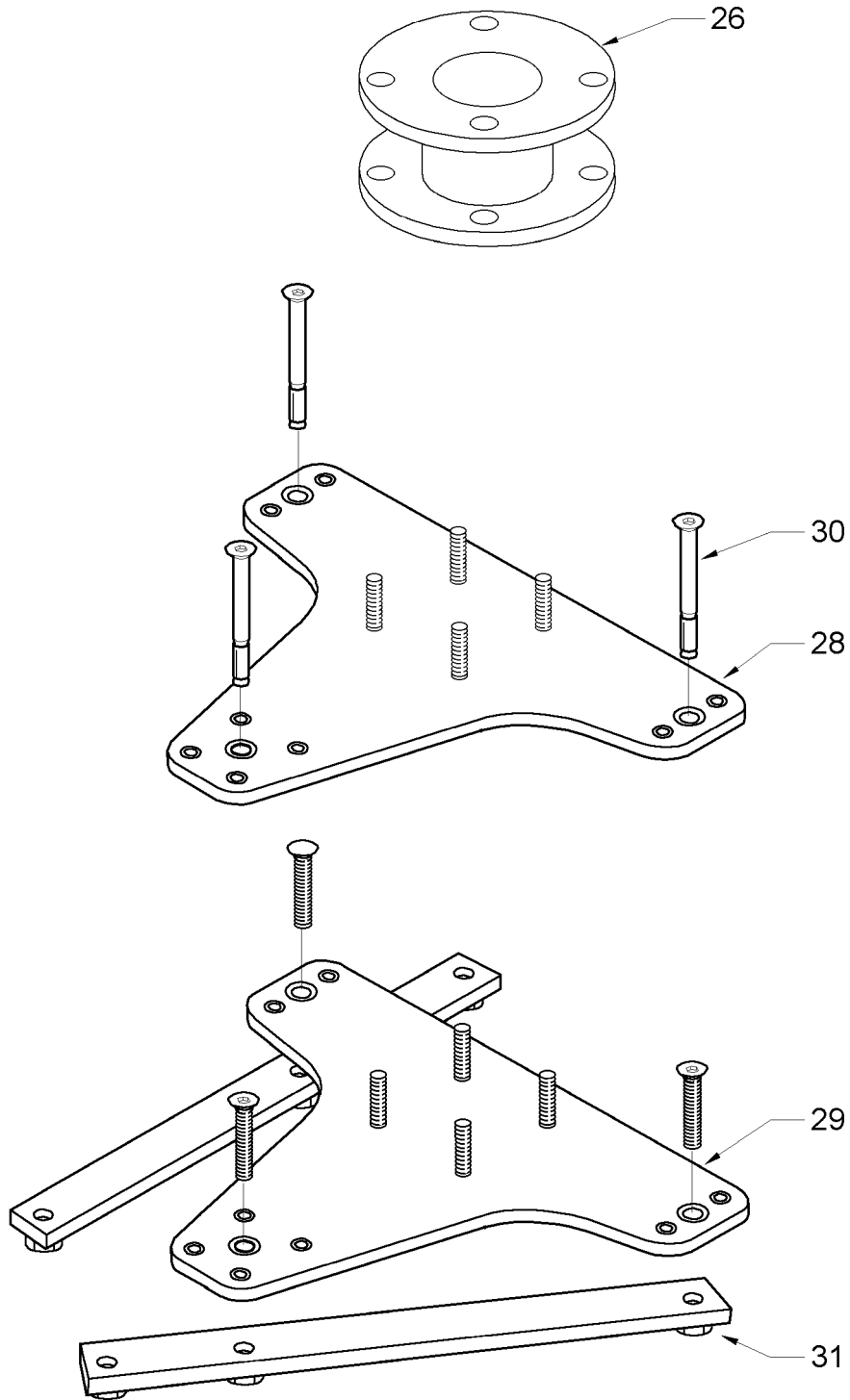
# OXFORD MERMAID & RANGER ATTENDANT OPERATED - MANUAL

ITEM NO.	PART NO.	DESCRIPTION	QTY	SERIAL NO.
1	80008	SEAT ARM SECURITY SCREW (5/16 UNF)	1	
2	324.02010	SEAT ARM SECURITY SCREW (M8)	1	
3	808003.10052	SEAT SUPPORT CLAMP	Kit	
4	381.40020	THRUST WASHER - PTFE	1	
5	381.30040	THRUST WASHER - BRONZE	1	
6	381.10030	THRUST BEARING	1	
7	MX-0176	THRUST COLLAR	1	
8	MX-0177	CLUTCH DRIVE SPRING	1	
9	808003.10053	SLIDING TUBE ASSEMBLY	Kit	
10	MX-0324	SLIDING TUBE KEY	3	
11	219.19015	CIRCLIP	1	
12	808003.10054	COLUMN HUB ASSEMBLY	Kit	
13	MX-0333	LATCH TUBE	1	
14	808003.10055	LATCH CLEVIS	Kit	
15	808003.10056	LOCKING HANDLE COMPLETE	Kit	
16	322.11010	WHITE KNOB	10	
17	MX-0336	LATCH COVER	1	
18	808003.10057	COLUMN COLLAR (4 POSITION)	Kit	
19	808003.10058	COLUMN COLLAR (8 POSITION)	Kit	
20	808003.10059	STOP COLLAR	Kit	
21	808003.10060	LEADSCREW AND NUT ASSEMBLY	Kit	
22	MX-0307	SQUARE LEADSCREW TUBE	1	
23	322.22020	GREASE BUNG	1	
24	808003.10061	RETAINING PLATE ASSEMBLY	Kit	
25	MX-0302	COLUMN ONLY	1	
27	808003.10063	COLUMN/BASEPLATE FIXINGS	Kit	
44	808003.10076	ATTENDANT WINDING HANDLE COMPLETE	Kit	
45	324.02030	PLASTIC WINDING HANDLE	1	
46	808003.10077	MERMAID SEAT FIXINGS & TRIMS	Kit	
47	808003.10078	COMMODE SEAT FIXINGS & TRIMS	Kit	

# OXFORD MERMAID & RANGER ATTENDANT OPERATED - MANUAL



This illustration and accompanying text set out in this Document is the Property of SUNRISE MEDICAL LTD. and must not be copied or used for manufacturing, tendering or any other purpose without their permission.



SPDWG 28

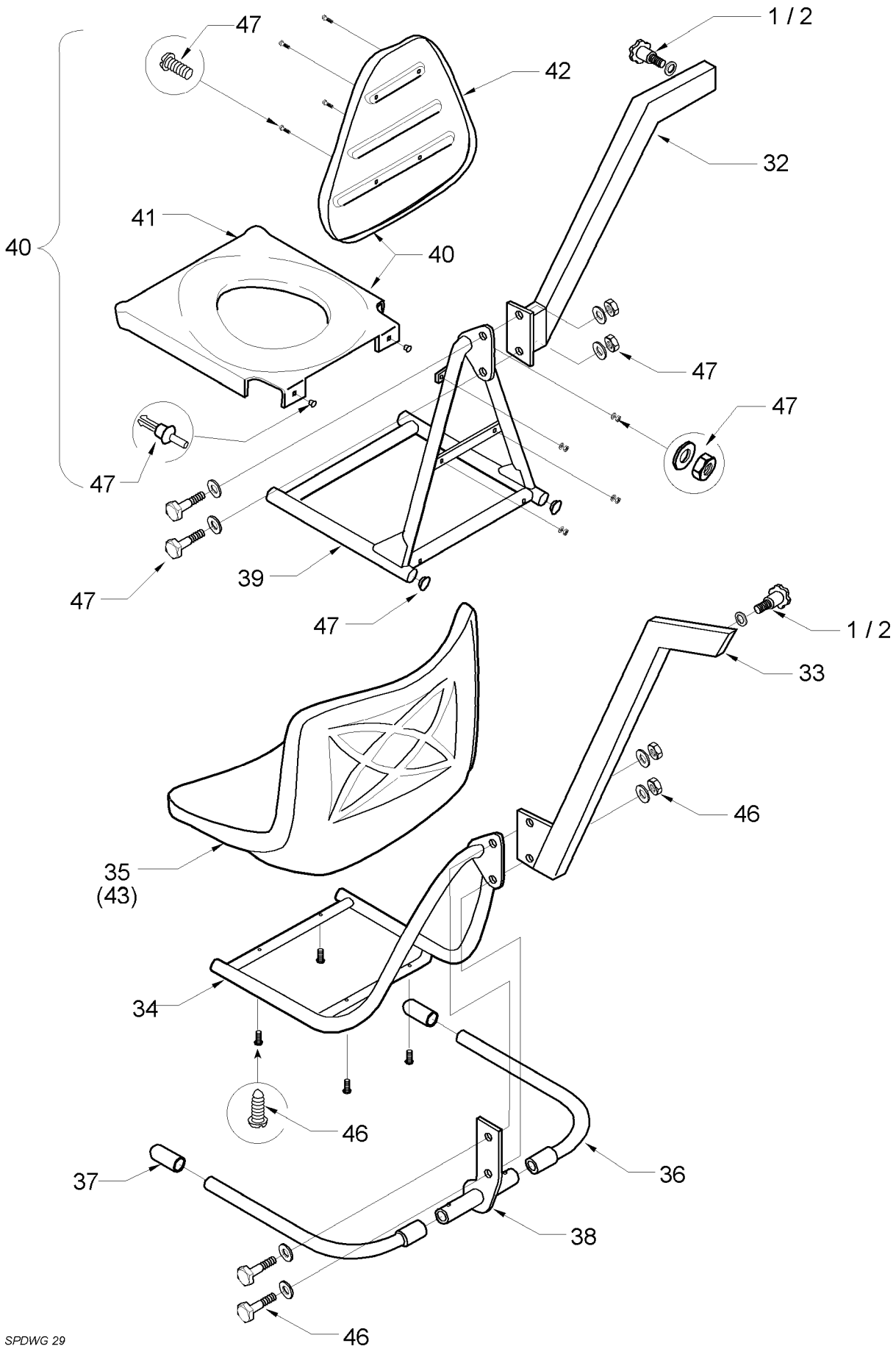
# OXFORD MERMAID & RANGER ATTENDANT OPERATED - MANUAL

ITEM NO.	PART NO.	DESCRIPTION	QTY	SERIAL NO.
26	808003.10062	75mm COLUMN EXTENSION	Kit	
28	808003.10064	UNIVERSAL BASEPLATE FOR CONCRETE FLOOR	Kit	
29	808003.10065	UNIVERSAL BASEPLATE FOR WOOD FLOOR	Kit	
30	211.16915	CONCRETE FLOOR BOLTS (LIEBIG SK15/70)	3	
31	808003.10066	WOOD FLOOR FIXING STRAPS	Kit	

# OXFORD MERMAID & RANGER ATTENDANT OPERATED - MANUAL



This illustration and accompanying text set out in this Document is the Property of SUNRISE MEDICAL LTD. and must not be copied or used for manufacturing, tendering or any other purpose without their permission.



SPDWG 29

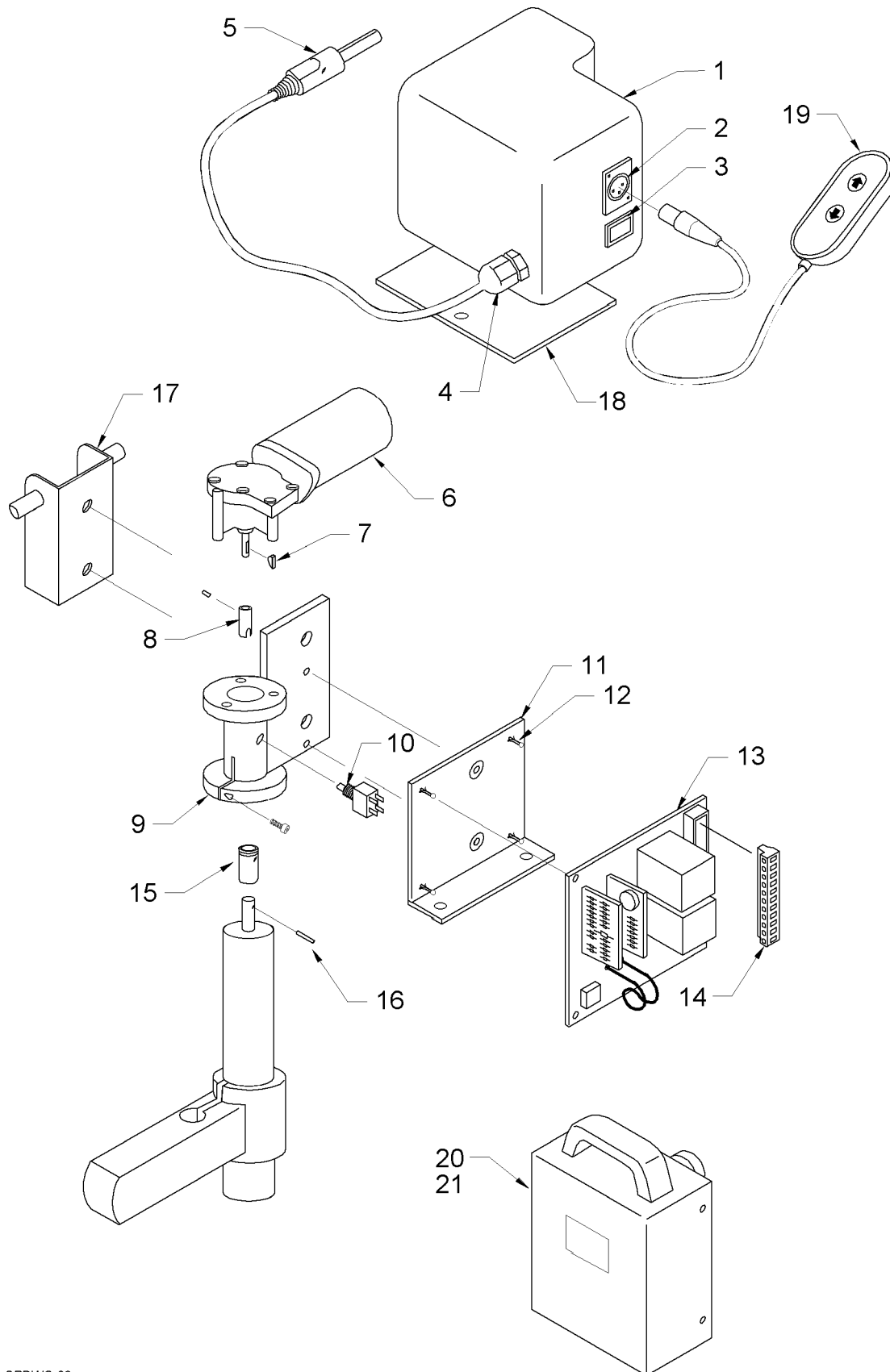
# OXFORD MERMAID & RANGER ATTENDANT OPERATED - MANUAL

ITEM NO.	PART NO.	DESCRIPTION	QTY	SERIAL NO.
1	80008	SEAT ARM SECURITY SCREW (5/16 UNF)	1	
2	324.02010	SEAT ARM SECURITY SCREW (M8)	1	
32	808003.10067	MERMAID SEAT SUPPORT ARM COMPLETE -SIDE FIT	Kit	
33	808003.10068	MERMAID SEAT SUPPORT ARM COMPLETE - END FIT	Kit	
34	808003.10069	MERMAID SEAT FRAME	Kit	
35	808003.10070	MERMAID PLASTIC SEAT	Kit	
36	808003.10071	SAFETY ARMS COMPLETE	Kit	
37	323.11010	HANDGRIP	1	
38	808003.10072	SAFETY ARMS PIVOT COMPLETE	Kit	
39	808003.10073	MERMAID COMMODE SEAT FRAME	Kit	
40	808003.10074	COMMODE PLASTIC SEAT COMPLETE	Kit	
41	321.21010	SEAT MOULDING	1	
42	321.31010	BACK MOULDING	1	
43	808003.10075	PADDED MERMAID SEAT COMPLETE	Kit	
46	808003.10077	MERMAID SEAT FIXINGS & TRIMS	Kit	
47	808003.10078	COMMODE SEAT FIXINGS & TRIMS	Kit	

# OXFORD MERMAID & RANGER - ELECTRIC



This illustration and accompanying text set out in this Document is the Property of SUNRISE MEDICAL LTD. and must not be copied or used for manufacturing, tendering or any other purpose without their permission.



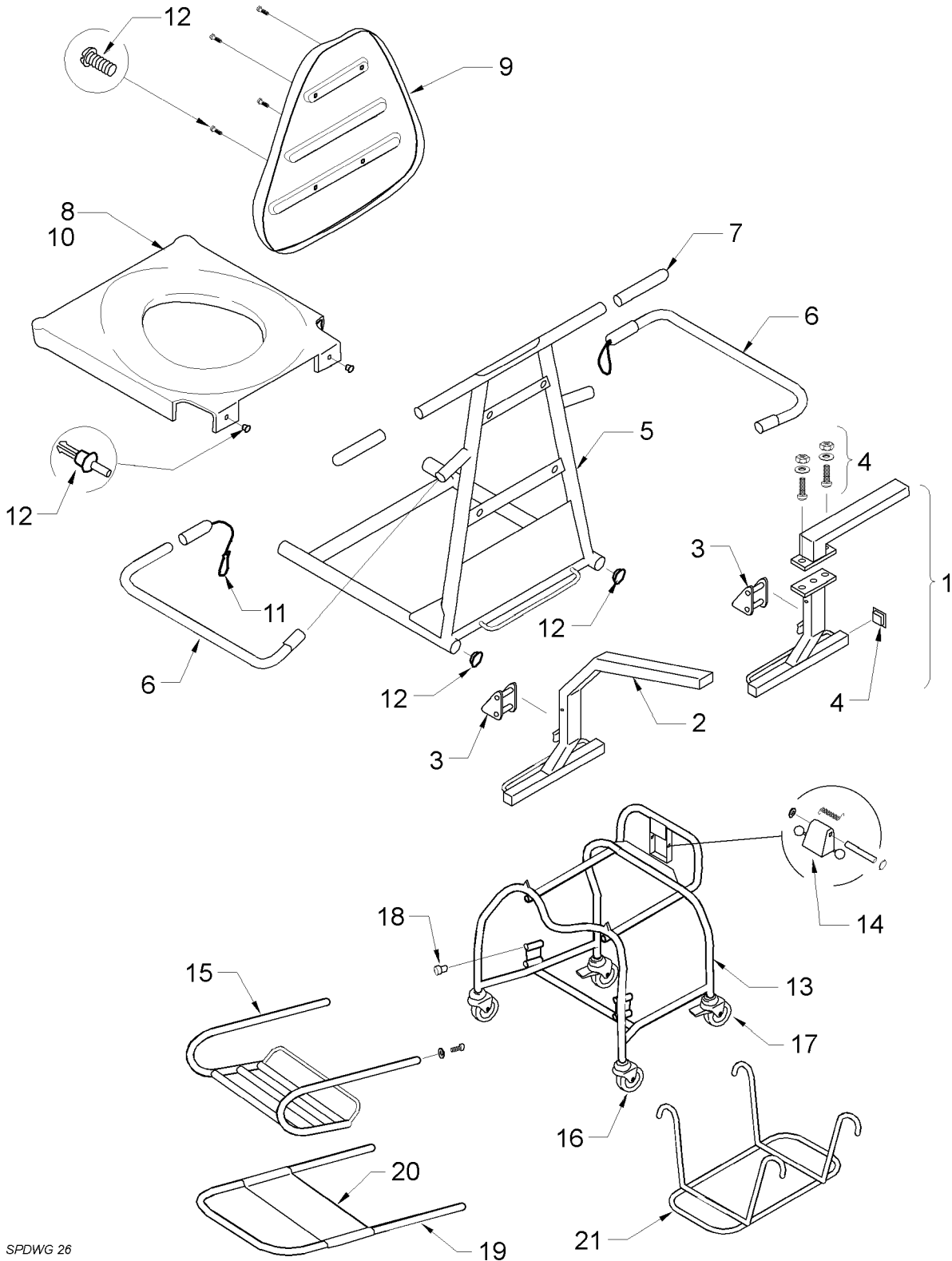
SPDWG 30



# OXFORD MERMAID & RANGER - ELECTRIC

ITEM NO.	PART NO.	DESCRIPTION	QTY	SERIAL NO.
1	MX-3674	PLASTIC MAIN COVER	1	
2	EL-3868	HANDCONTROL SOCKET - (3 PIN AXL - WIRED)	1	
3	EL-3867	EMERGENCY RAISE SWITCH - WIRED	1	
4	331.00009	CABLE GLAND	1	
5	EL-3866	POWER/CHARGER PLUG (STRAIGHT) - WIRED	1	
6	808003.10088	MOTOR COMPLETE	Kit	
7	348.10012	WOODRUFF KEY - MOTOR SHAFT	1	
8	808003.10089	DRIVESHAFT COMPLETE	Kit	
9	808003.10090	MOTOR MOUNTING COMPLETE	Kit	
10	EL-3870	MICROSWITCH LIMIT SWITCH - WIRED	1	
11	808003.10091	PCB MOUNTING PLATE COMPLETE	Kit	
12	934.10201	PCB MOUNTING PILLAR	4	
13	200001.10350	CONTROL PCB - CLARKES	1	
14	332.00035	EDGE CONNECTOR - PCB	1	
15	MX-3607	LEADSCREW COUPLING	1	
16	936.10350	LEADSCREW COUPLING PIN	1	
17	808003.10092	BATTERY BOX MOUNTING BRKT. COMPLETE	Kit	
18	808003.10093	SPLASH GUARD COMPLETE	Kit	
19	MX-3885	HANDCONTROL	1	
20	TS-2923	POWER PACK COMPLETE	1	
21	337-00050	BATTERY 12VDC 3.2AHR	1	

# RANGER CHAIR



SPDWG 26

# RANGER CHAIR

ITEM NO.	PART NO.	DESCRIPTION	QTY	SERIAL NO.
1	808003.10079	RANGER SEAT SUPPORT ARM - SIDE FIT	Kit	
2	808003.10080	RANGER SEAT SUPPORT ARM - END FIT	Kit	
3	808003.10155	ARM SAFETY LATCH COMPLETE	Kit	
4	808003.10156	RANGER ARMS FIXINGS & FITTINGS KIT	Kit	
5	808003.10081	RANGER CHAIR FRAME ONLY	Kit	
6	808003.10082	ARM RESTS COMPLETE	Kit	
7	323.11010	WHITE HAND GRIP	1	
8	321.21010	SEAT MOULDING	1	
9	321.31010	BACK MOULDING	1	
10	83046	SEAT MOULDING (PLAIN)	1	
11	808003.10157	SECURING HOOK COMPLETE	Kit	
12	808003.10087	RANGER SEAT FIXINGS & TRIMS	Kit	
13	DT-0201	TRANSPORTER FRAME ONLY	1	
14	808003.10083	TRANSPORTER SAFETY LATCH	Kit	
15	808003.10084	FOOT REST ASSEMBLY	Kit	
16	311.42110	CASTOR 100mm PLAIN (TENTE)	2	
17	311.41110	CASTOR 100mm BRAKED (TENTE)	2	
-	83039	CASTOR EXPANDING BUSH FITTING	1	
18	DT-2183	FOOT REST BUSH	8	
	808003.10158	TRANSPORTER FIXING & FITTINGS KIT	Kit	
19	808003.10085	MD LEG SUPPORT	Kit	
20	*	LEG SUPPORT FABRIC	2	
-	808003.10086	MD PADDED SEAT COMPLETE	Kit	
-	83042	BED PAN	1	
21	83043	BED PAN CRADLE	1	
	* Order by description only			

This page is intentionally blank