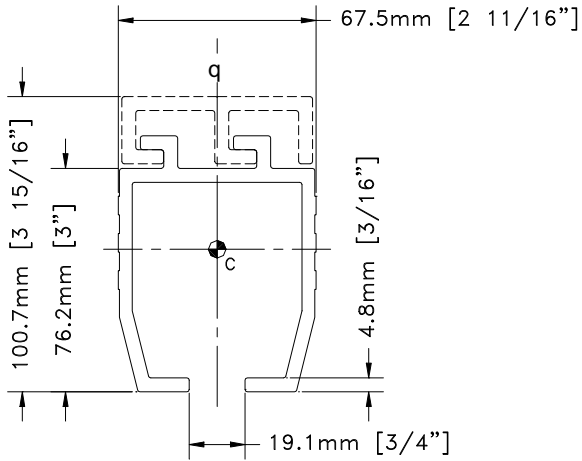
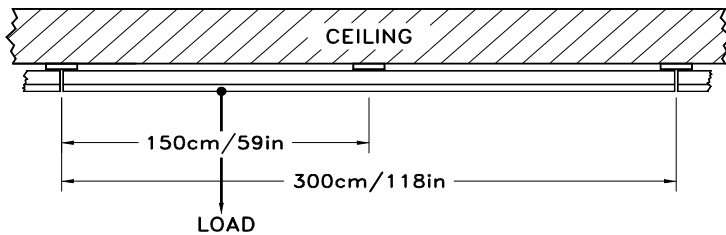


➤ TRACK SPECIFICATIONS



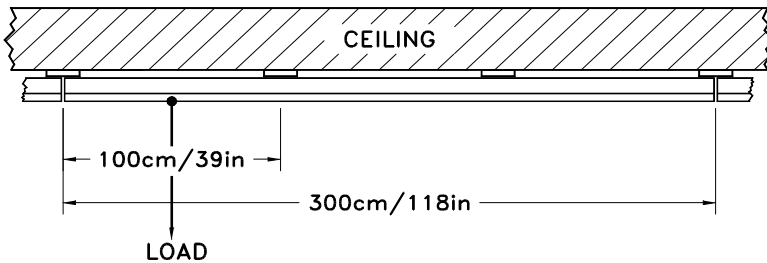
Material : 6063-T5 aluminum
 I_{xx} Maximum moment of inertia : $1.08E^6 \text{ mm}^4 / 2.59 \text{ in.}^4$
 Modulus of elasticity : $6.894757 \text{ MPa} / 10E^7 \text{ psi}$
 Extreme fiber distance from xx axis : $48.61 \text{ mm} / 1.9141 \text{ in.}$
 Perimeter: $554 \text{ mm} / 21.814 \text{ in.}$
 Area : $1311.6 \text{ mm}^2 / 2.033 \text{ in.}^2$

Track load data when attached every 1.5 meter / 59



- Maximum load before track failure : $1384 \text{ kg} / 3050 \text{ lbs.}$
- Deflection at maximum load : $8.89 \text{ mm} / 0.35 \text{ in.}$
- **Safe working load (safety factor of 3):** $461 \text{ kg} / 1016 \text{ lbs.}$

Track load data when attached every 1 meter / 39.37



- Maximum load before track failure : $2100 \text{ kg} / 4625 \text{ lbs.}$
- Deflection at maximum load : $3.81 \text{ mm} / 0.15 \text{ in.}$
- **Safe working load (safety factor of 3):** $700 \text{ kg} / 1542 \text{ lbs.}$