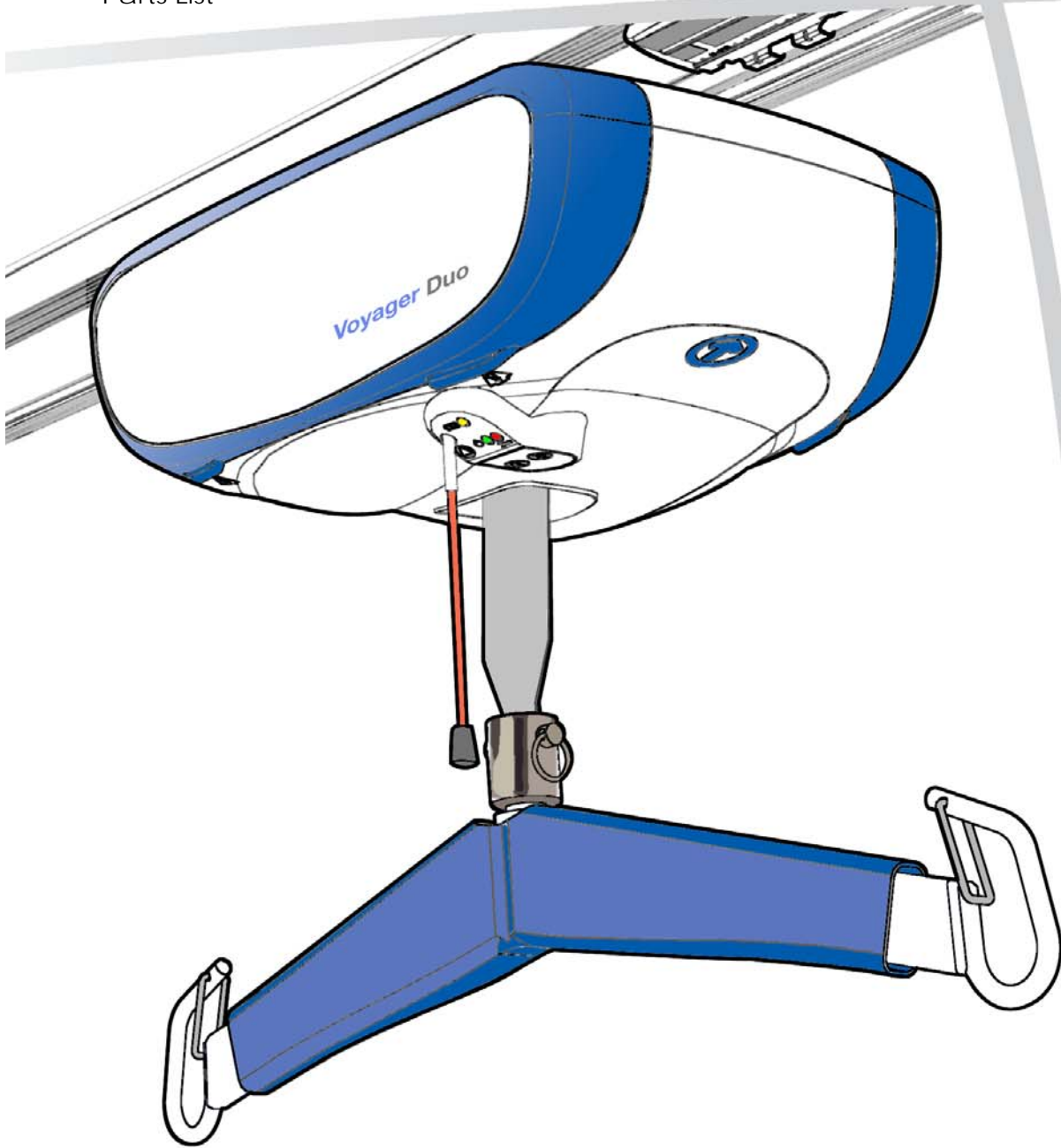
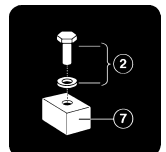


Voyager® Duo
Parts List



001-19522-EN rev.0
November 2009



Printed in Canada

BHM Medical Inc. reserves the right to change or discontinue any specifications, design, features, model or accessories shown without notice.

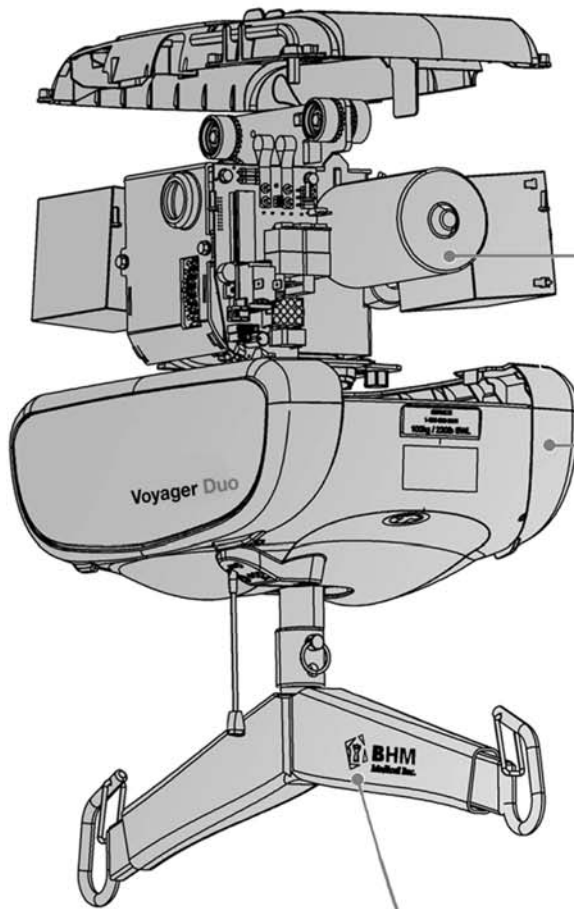
TM Trade-mark of BHM Medical Inc. All rights reserved.

© BHM Medical Inc., 2009

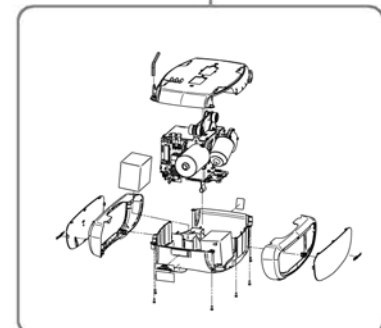
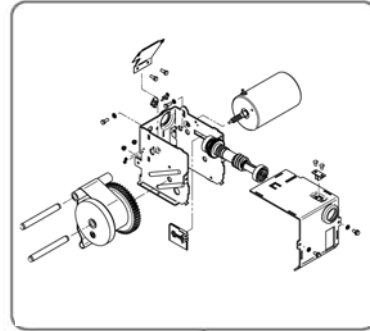
The content of this publication may not be copied either whole or in part without the consent of BHM Medical.

Voyager Duo Parts List Contents

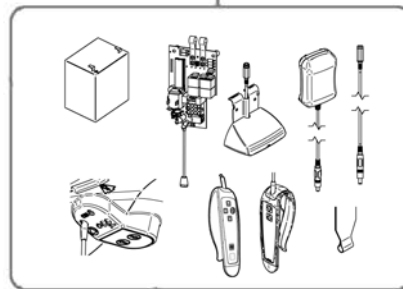
General parts, page 4



Internal parts, page 5



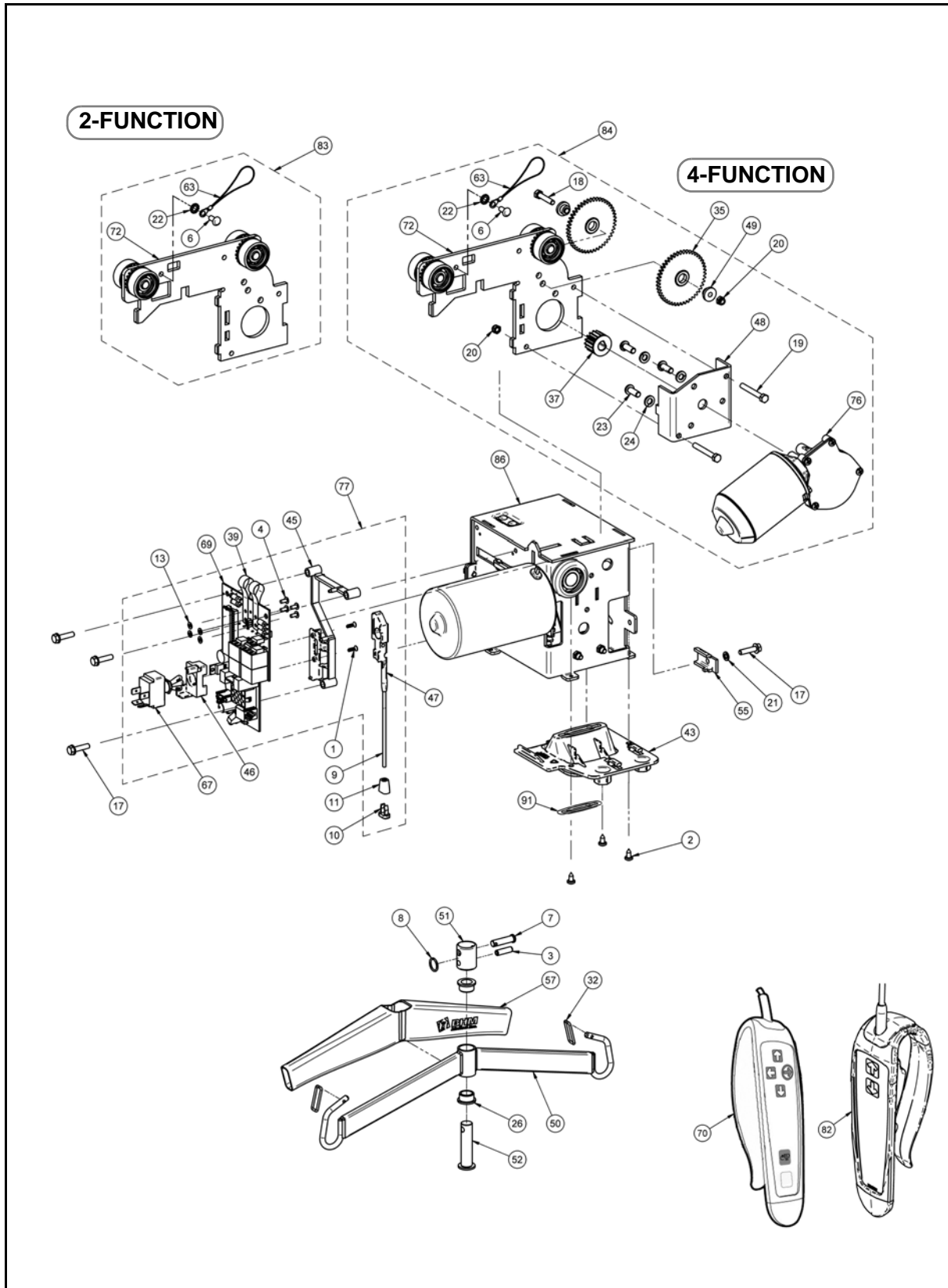
Housing assembly, page 6



Service kits, page 7

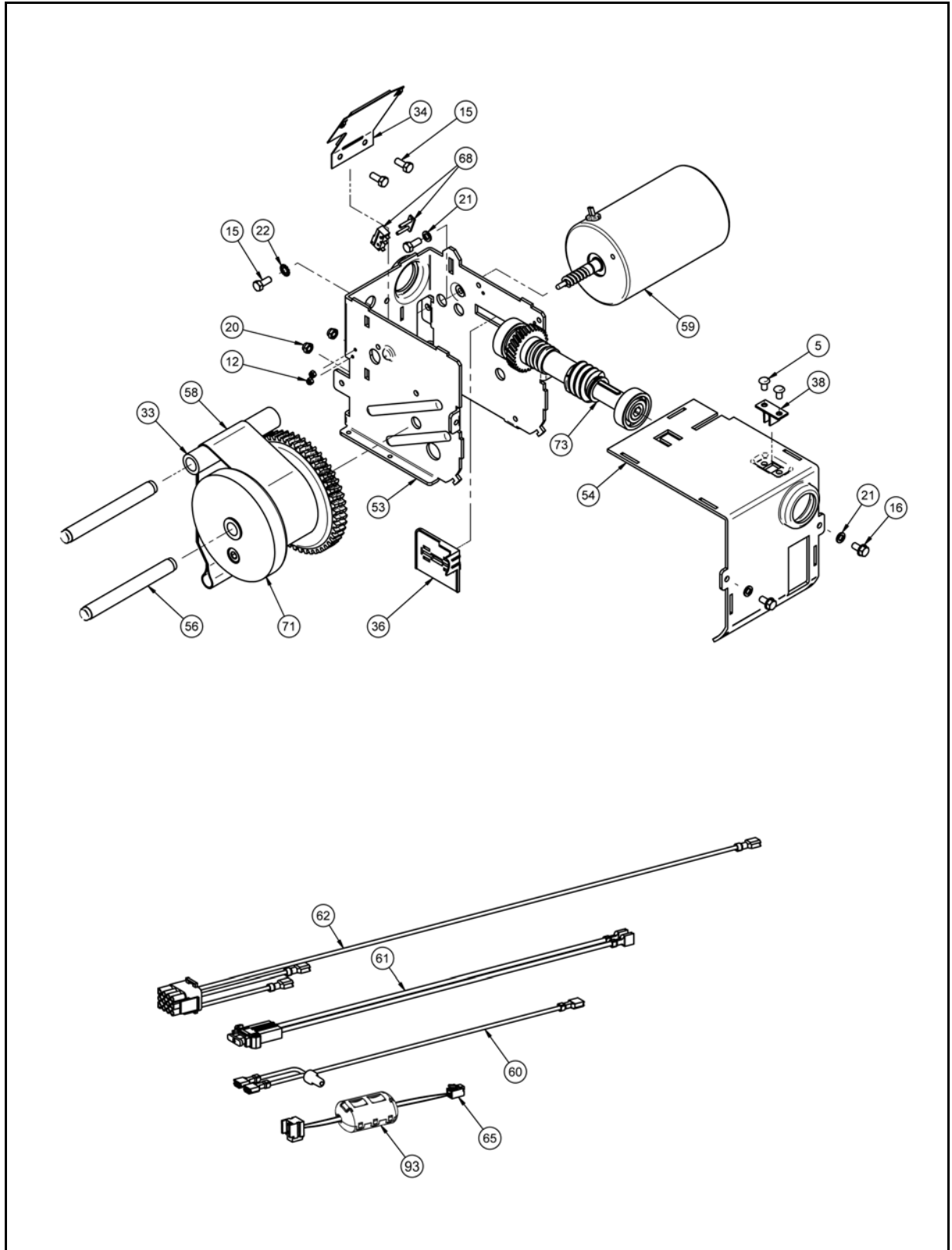
Part Description

General Parts - Exploded View Diagram



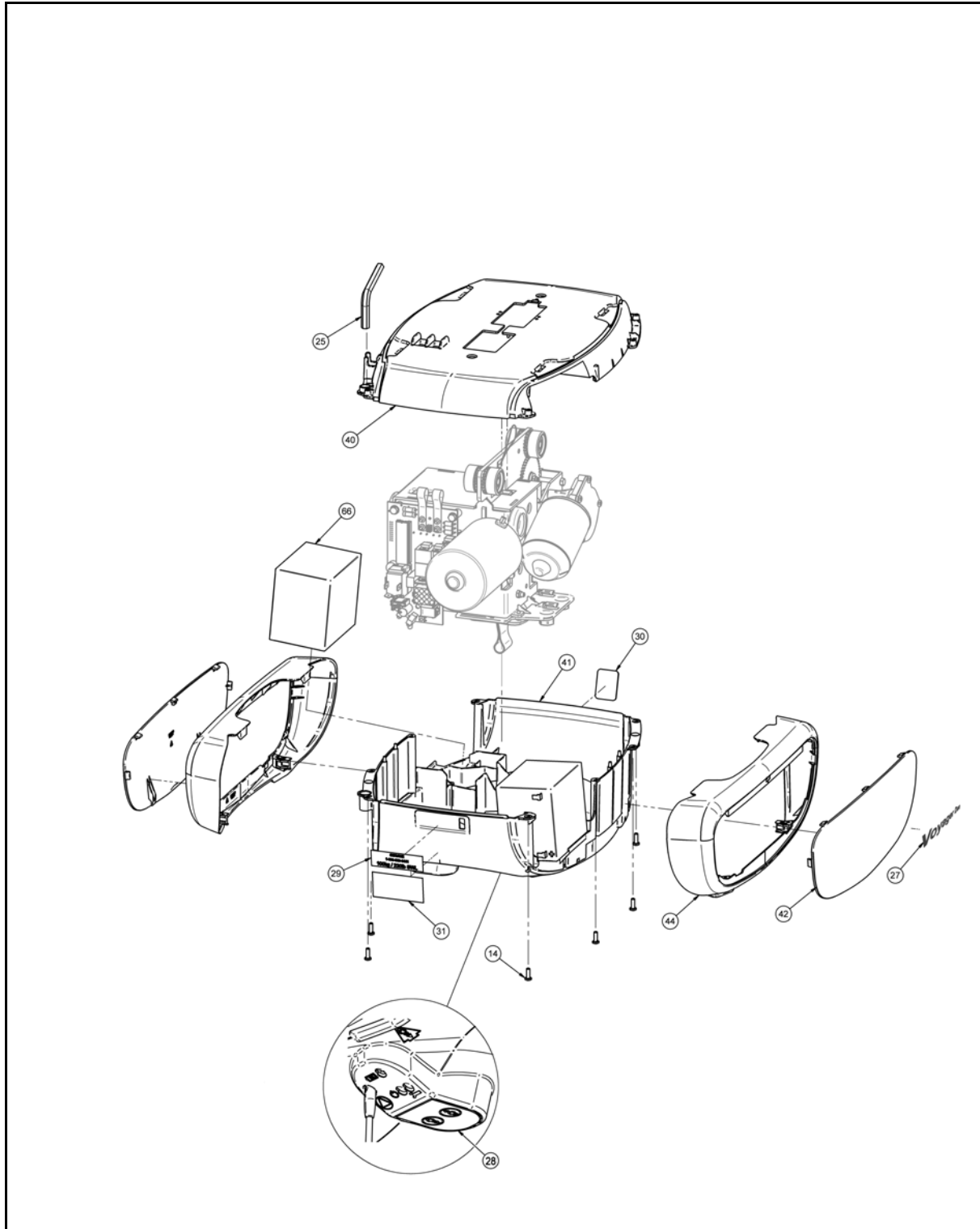
Part Description

Internal Parts - Exploded View Diagram



Part Description

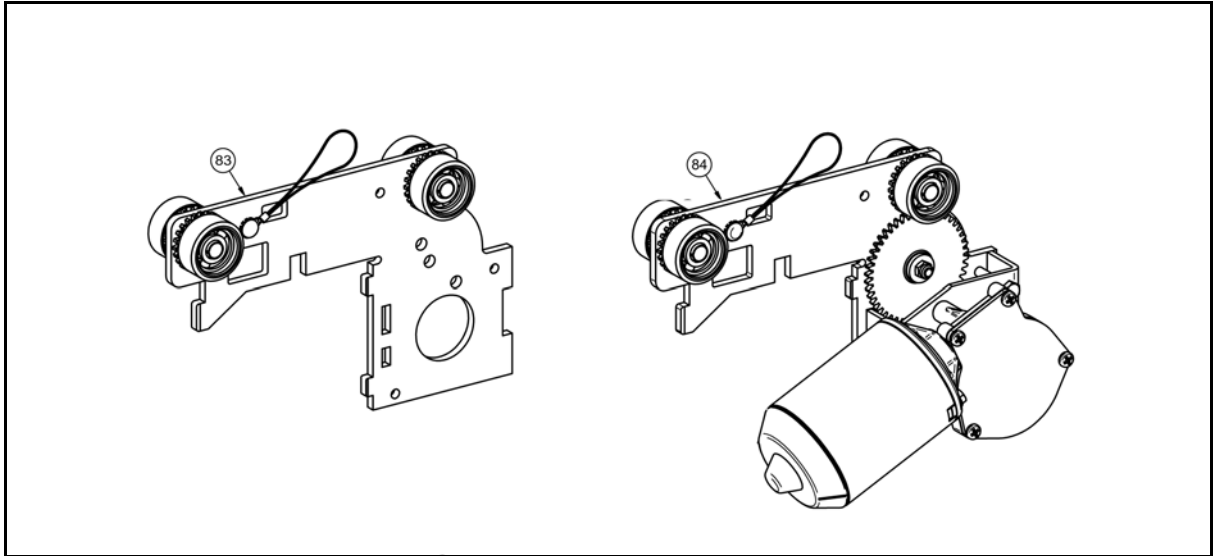
Housing Assembly - Exploded View Diagram



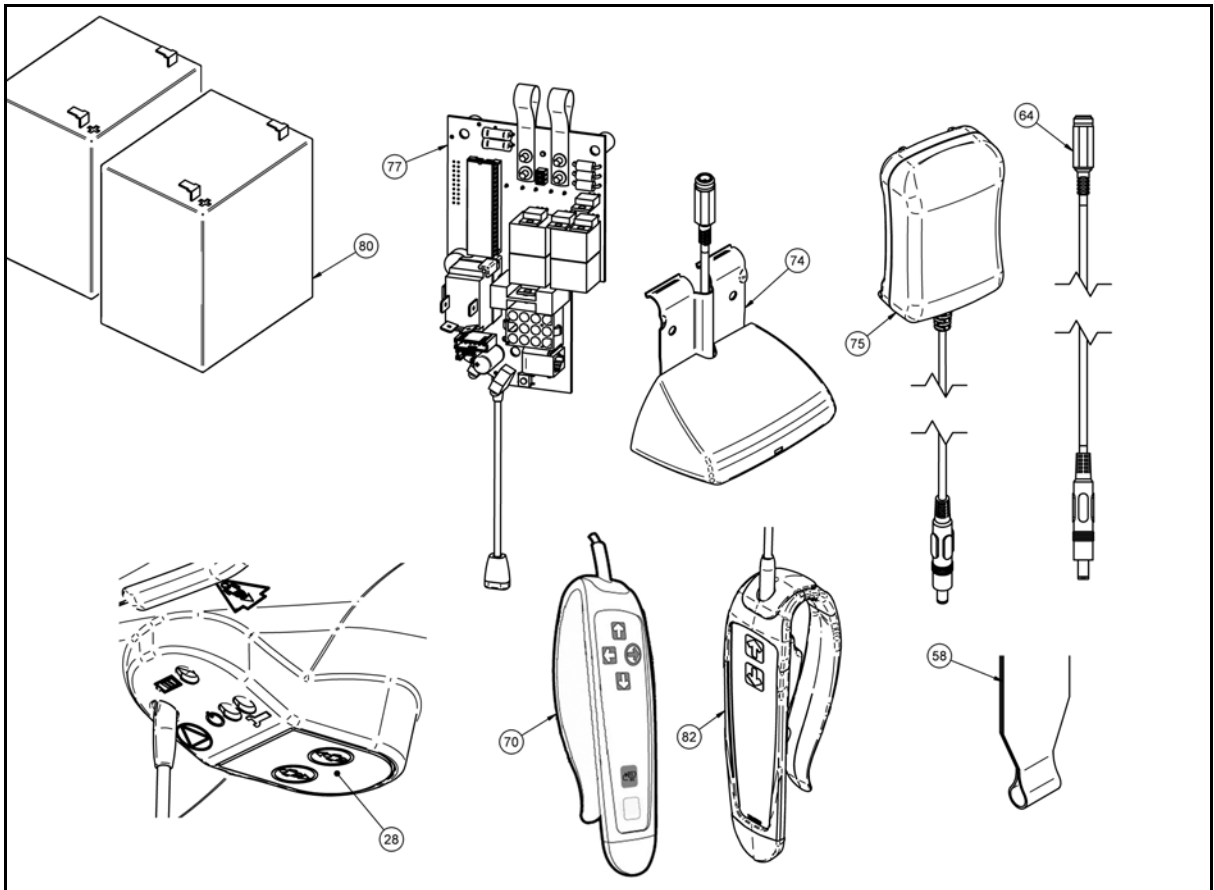
Part Description

Service Kit Diagrams

Trolleys

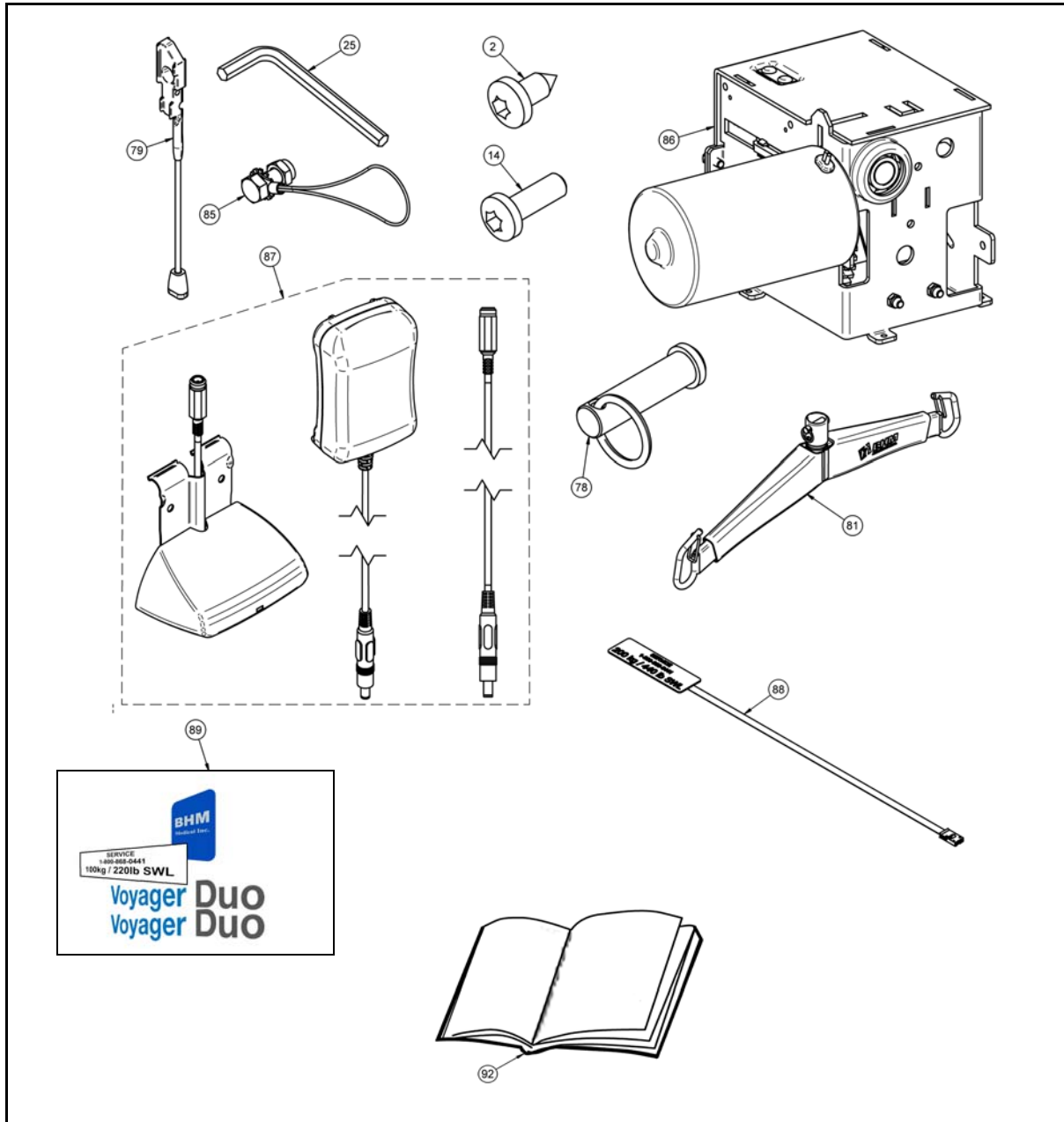


Miscellaneous Service Kits



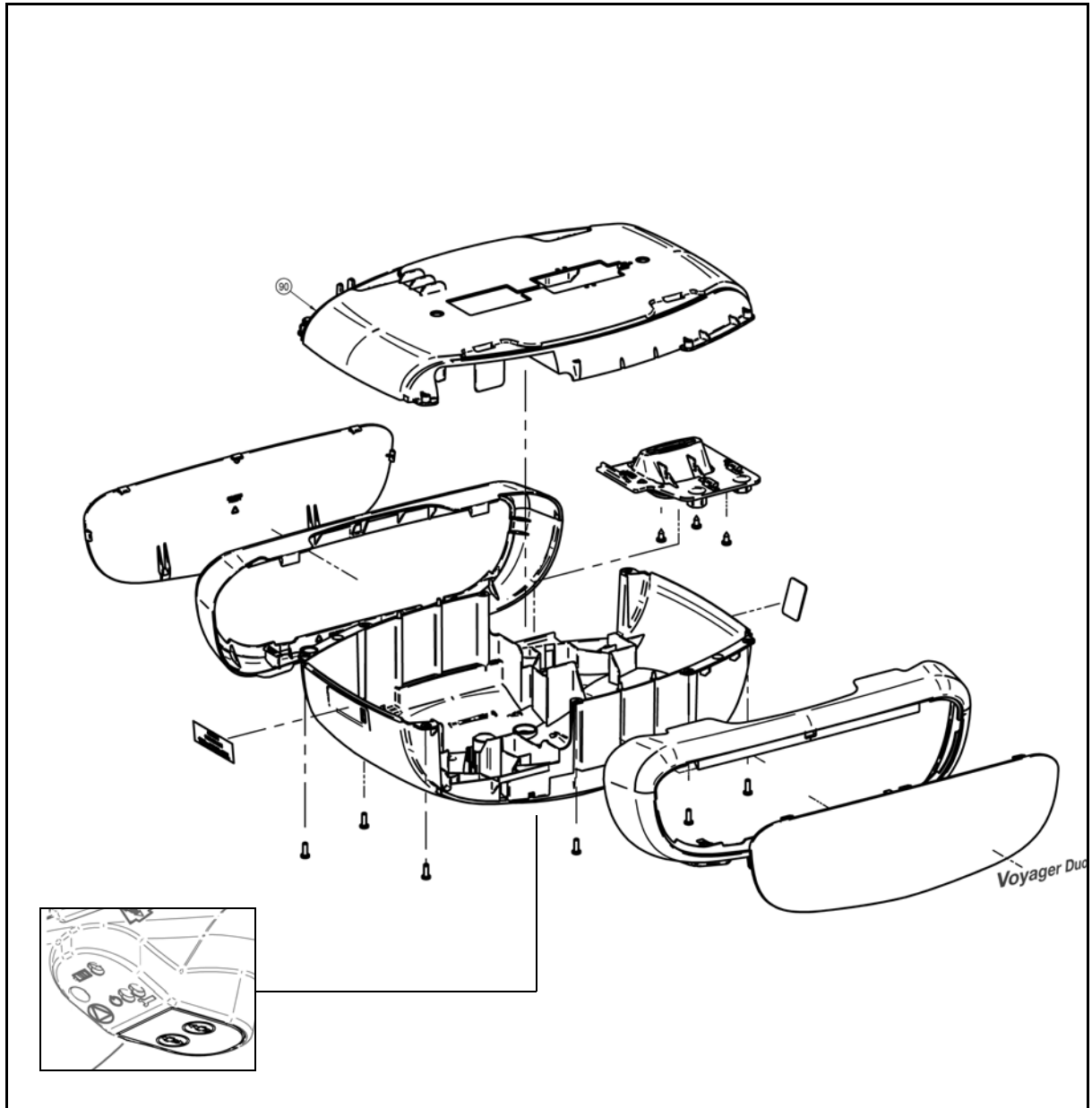
Part Description

Miscellaneous Service Kits - continued



Part Description

Voyager Duo Housing Assembly kit



Part Description

Parts List Table

NOTE: After sales parts that can be purchased are indicated by the ✓ symbol at the end of the rows.

Item	Part #	Description	Qty	Service Parts
1	000.00032	3.0 X 10 plastite, zinc plated flat Torx screw	2	
2	000.00635	4.2 X 9.5 St Torx tap screw	3	✓
3	000.00828	3/8" X 1 1/4" zinc plated spring pin	1	
4	000.00888	1/8" 0-1/8 grip alum rivet	4	
5	000.00890	3/16 0-1/8 alum rivet	2	
6	000.00899	3/16 1/8-1/4 steel rivet	1	
7	000.00905	Ø7/16" X 1 21/32" clevis	1	
8	000.00921	split ring	1	
9	000.01343	26" red elastic cord	1	
10	000.01370	cord end "insert"	1	
11	000.01375	cord "insert" tip	1	
12	000.01970	M2.5 zinc plated locknut	2	
13	000.02405	M3 zinc plated flat washer	4	
14	000.02480	4.0 X 12 plastite tap screw	8	✓
15	000.02550	M5 X 12 zinc plated hex screw	4	
16	000.02562	M5 X 10 taptite screw	2	
17	000.02590	M5 X 20 taptite screw	4	
18	000.02610	M5 X 25 zinc plated hex screw	1	
19	000.02655	M5 X 40 zinc plated hex screw	2	
20	000.02800	M5 zinc plated locknut	5	
21	000.02900	M5 zinc plated lock washer	4	
22	000.02915	M5 zinc star washer	2	
23	000.03105	M6 X 16 zinc plated button screw	3	
24	000.03420	M6 zinc plated lock washer	3	
25	000.03975	8 mm zinc plated short allen key	1	✓
26	000.05465	20-26 X 15 mm flange bushing	2	
27	001.19500	Voyager Duo label	2	
28	001.19506	up-down membrane	1	✓
29	001.19510	Service/100 kg SWL label	1	
30	001.19520	BHM-ID label	1	
31	001.19531	CSA label (913XXXX)	1	
32	200.05466	safety latch	2	
33	200.14060	strap roller	1	
34	200.14070	limit switch support	1	
35	200.14210	46 tooth idler	2	
36	200.14230	CBLM block plate	1	
37	200.14250	left/right motor gear	1	
38	200.14260	SSRS enabler	1	
39	200.14550	contact blade	2	
40	200.19500	top cover	1	
41	200.19501	bottom cover	1	
42	200.19503	side panel	2	
43	200.19504	strap inlet	1	
44	200.19505	side cover with clip	2	
45	200.19506	PCB support	1	

Part Description

Item	Part #	Description	Qty	Service Parts
46	200.19507	toggle switch support	1	
47	200.19508	emergency stop insert	1	
48	203.14040	left/right motor plate	1	
49	203.14220	bushing idler	2	
50	221.05455	PMS 272 spreader bar (purple)	1	
51	205.05457	spreader bar junction tube	1	
52	205.05465	spreader bar pivot pin	1	
53	203.14000	"U-shape" frame	1	
54	203.14010	top part of frame	1	
55	203.14030	trolley lock	1	
56	203.14050	12 mm shaft	2	
57	361.05490	blue spreader bar cover	1	
58	362.14000	black strap	1	✓
59	400.14000	vertical motor	1	
60	402.00060	wire harness switch - battery	1	
61	402.00061	in-line fuse for battery wire harness	1	
62	402.00062	wire harness power cable	1	
63	402.14015	antistatic wire	1	
64	402.15508	DC2.5 charger extension	1	✓
65	402.19500	handset to UMC harness	1	
66	403.10500	12V 5AH battery	2	
67	460.00061	15A 0.25TAB DPST toggle switch	1	
68	465.00005	limit switch assembly	1	
69	492.00072	PCBA motor control	1	
70	700-13800	BHM 4-function handset	1	✓
71	700.13355	drum assembly - without strap	1	
72	700-14021	2-function trolley	1	
73	700.14100	worm shaft assembly	1	
74	700.15522-0	DC2.5 Kwiktrak charger station	1	✓
75	700-24201	universal charger	1	✓
76	E0006	gearmotor	1	
77	499-01072	PCBA mechanical assembly	1	✓
78	700-00905	clevis pin with split ring	1	✓
79	700-01343	emergency stop cord	1	✓
80	700-02403	battery kit	1	✓
81	700.05491	BHM spreader bar logo	1	✓
82	700-13820	BHM 2-function handset	1	✓
83	700-14021	2-FB Kwiktrak trolley	1	✓
84	700-14026	4-FB Kwiktrak trolley	1	✓
85	700.14015	anti-static kit	1	✓
86	700.14510	chassis kit	1	✓
87	700-15501	universal charger kit	1	✓
88	700-19511	200 kg key assembly	1	✓
89	700-19520	labels kit	1	✓
90	700-19521	Voyager Duo housing kit	1	✓
91	206-19509	Strap inlet insert	1	
92	001.19520	Instructions for Use	1	✓
93	405-20803	Ferrite	1	✓

001-19522-EN rev.0
November 2009

BHM MEDICAL

...solutions to life's challenges

BHM Medical
2001, Tanguay
Magog QC CANADA J1X 5Y5
Phone: 819-868-0441
Fax: 819-868-2249
www.bhm-medical.com

MEMBER OF THE GETINGE GROUP