

---

<b>BATHLIFTS</b>	<b>4 - 37</b>
------------------	---------------

---

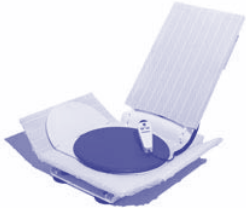


**BATHLIFTS**

---

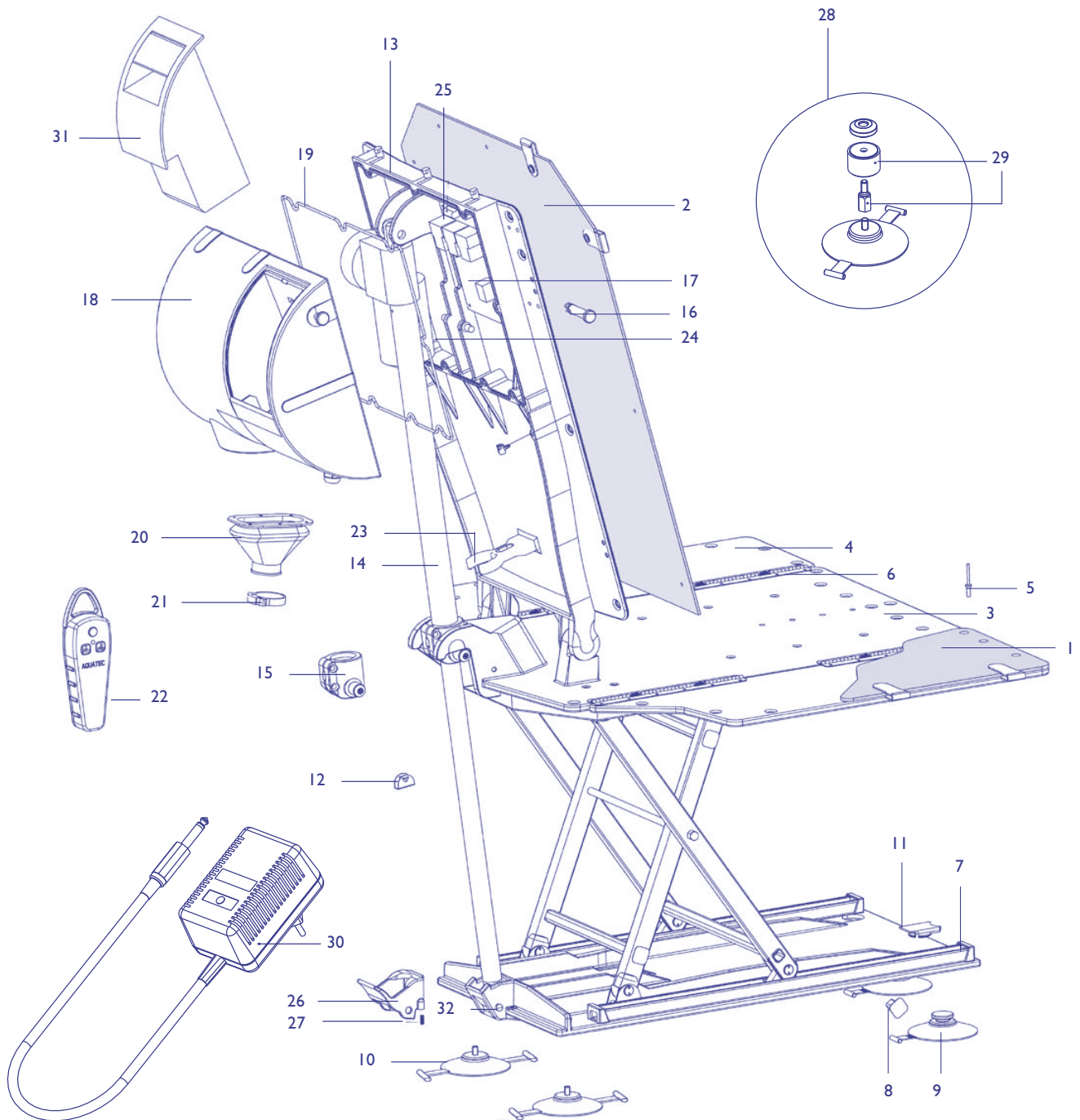
<b>TRANSFER AIDS</b>	<b>54 - 59</b>
----------------------	----------------

---





Serial number 662526 or lower





## Order Form

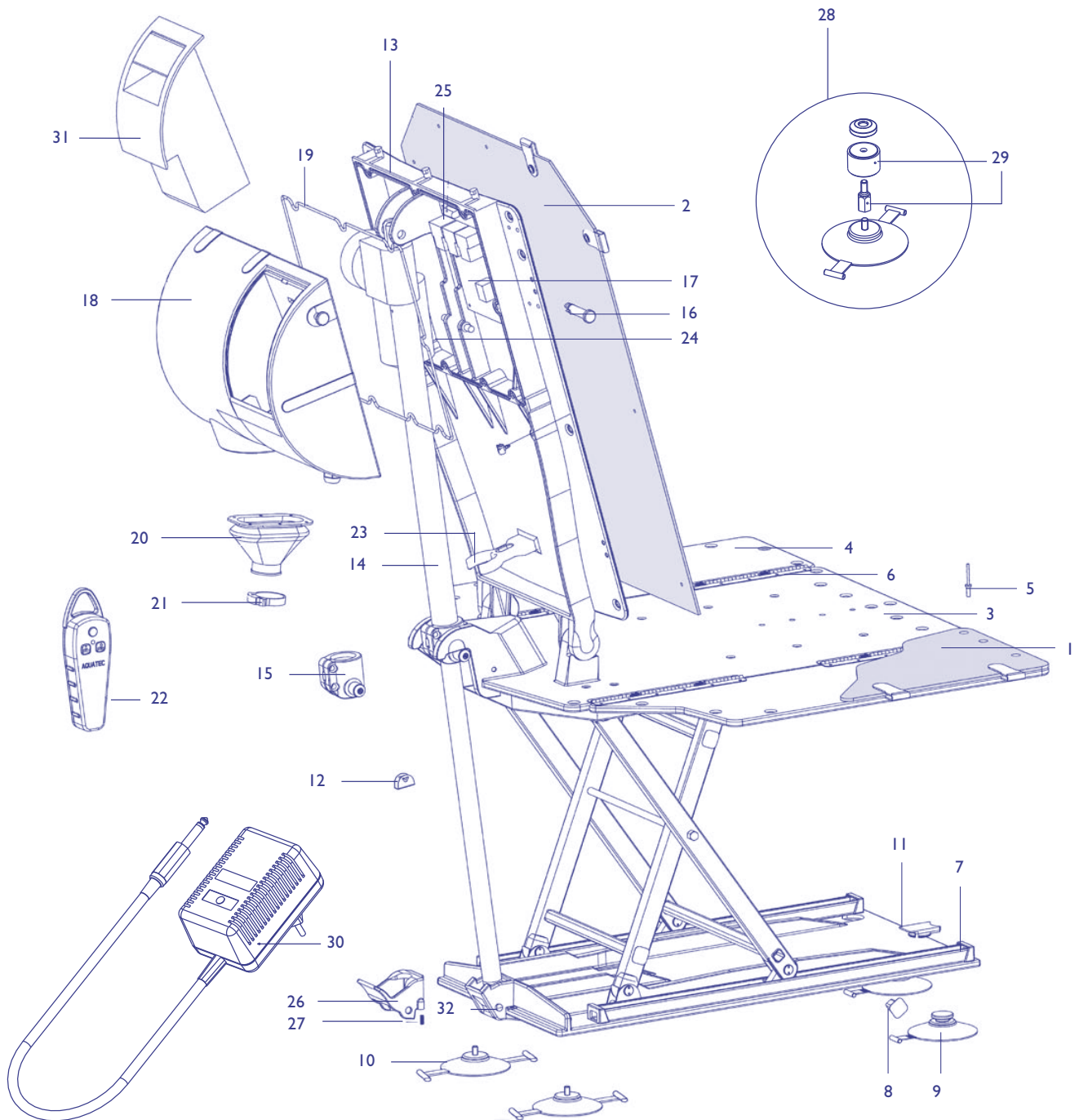
Customer	Telephone
Delivery address	Telefax
	Com.
	Sender
	Customer number

Serial number:

Units	No.	Order No.	Description
	1	<b>14535</b>	Cover seat, white
	1	<b>14556</b>	Cover seat, blue
	2	<b>14593</b>	Cover backrest, white
	2	<b>14595</b>	Cover backrest, blue
	1+2	<b>14980</b>	Cover set (seat and backrest), white
	1+2	<b>14981</b>	Cover set (seat and backrest), blue
	3	<b>14592</b>	Seat complete, without cover (for backrest since 1998-05)
	4	<b>14453</b>	Sideflap
	5	<b>14041</b>	Blind rivet 3,2 x 9,5
	6	<b>11548</b>	Hinge, drill-hole 3,2 mm
	7	<b>10933</b>	C-rail cover
	8	<b>10829</b>	Cap
	9	<b>15072</b>	Suction cups with toggle (pair)
	10	<b>15071</b>	Screw-in suction cups (pair)
	10	<b>15189</b>	Set of screw-in suction cups, ø 8 cm (4 pcs)
	9+10	<b>15353</b>	Set of suction cups (pair with toggle / pair of screw-in suction cups), ø 8 cm
	not ill.	<b>16240</b>	Set of suction cups large, 130 mm (4 pcs incl. 2 adapter inserts)
	11	<b>15121</b>	Lid for suction cup (since 1999-05)
	12	<b>14462</b>	U-clamp
	13	<b>14377</b>	Backrest complete, without cover
	13	<b>14452</b>	Backrest, frame only
	14	<b>15815</b>	Actuator complete (motor, pulley assembly, spindle foot)
	15	<b>15829</b>	Pulley assembly incl. screws and nuts
	16	<b>14468</b>	Motor bolt
	17	<b>15182</b>	Circuit board motor control
	18	<b>16093</b>	Casing for actuator
	19	<b>14457</b>	Gasket for casing
	20	<b>14451</b>	Compression cup
	21	<b>14885</b>	Clamp
	22	<b>15394*</b>	Hand control with spiral cable



Serial number 662526 or lower





## Order Form

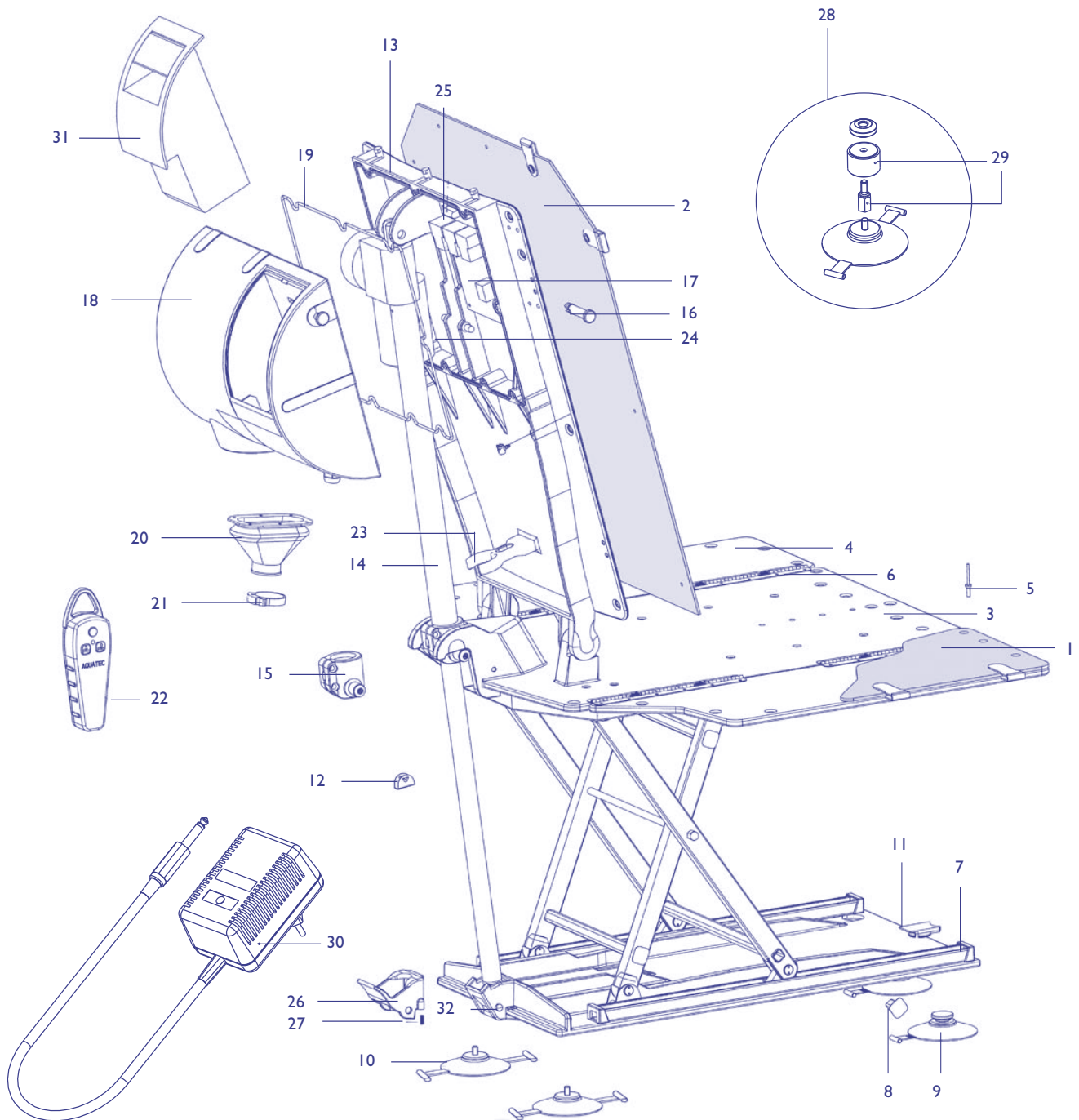
Customer	Telephone
Delivery address	Telefax
	Com.
	Sender
	Customer number

Serial number:

Units	No.	Order No.	Description
	23	14470	Spindle catch
	24	14502	Rubber ring, 60 x 1,5 mm (not ill.)
	25	14618	Glass fuse for actuator, 5 x 20 8 A inert
	26	14978	Locking device (please order also 2x spring, order no. 14929)
	27	14929	Spring for locking device
	28	15170	Height adapter set, 2 cm (height adapters and conversion kit for front suction cups)
	29	14694	Expanding set height adapters, 2 cm (height adapters, without conversion kit)
	30	15088	Battery charger (Europe)
	30	15237	Battery charger (GB)
	30	15239	Battery charger (USA)
	31	15193	Battery complete
	32	16297	Repair set for spindle foot, with glue
	32	15296	Repair set for spindle foot, without glue
	32	10837	Glue for repair set, Epple LOC 3500/A
			<b>not illustrated</b>
		14619	Glass fuse for charger, 5 x 20 32 mA inert
	1 x 15170 + 1 x 14694		Height adapter set, 4 cm (height adapters and conversion kit for front suction cups)
	1 x 15170 + 2 x 14694		Height adapter set, 6 cm (height adapters and conversion kit for front suction cups)
		15298	Conversion kit without height adapters (adapter inserts, suction cups)
		15874	Recirculation kit, white: cover set (seat and backrest), suction cups, user manual (up to serial no. 392059, until 1999-04)
		15875	Recirculation kit, blue: cover set (seat and backrest), suction cups, user manual (up to serial no. 392059, until 1999-04)
		15877	Recirculation kit, white: cover set (seat and backrest), suction cups, lids for suction cups, user manual (from serial no. 392060, since 1999-05)
		15878	Recirculation kit, blue: cover set (seat and backrest), suction cups, lids for suction cups, user manual (from serial no. 392060, since 1999-05)



Serial number 662526 or lower



## Order Form

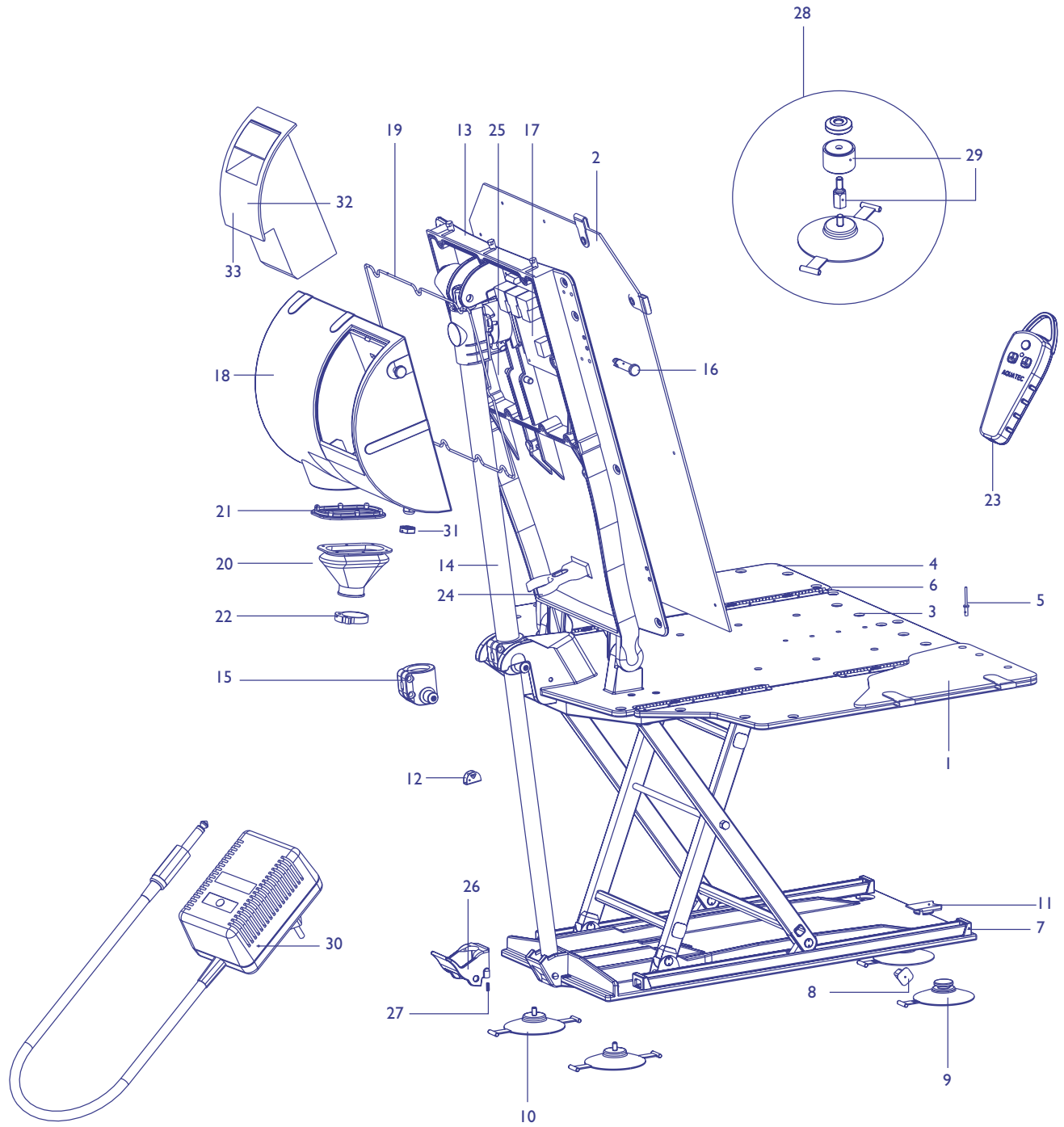
Customer	Telephone
Delivery address	Telefax
	Com.
	Sender
	Customer number

Serial number:

Units	No.	Order No.	Description	
			<b>not illustrated</b>	
		<b>15243</b>	Cover special backrest, white	
		<b>15244</b>	Cover special backrest, blue	
		<b>15466</b>	Cover head support, white	
		<b>15467</b>	Cover head support, blue	
		<b>15622</b>	User manual	



Serial number 662527 or higher







## Order Form

Customer	Telephone
Delivery address	Telefax
	Com.
	Sender
	Customer number

Serial number:

Units	No.	Order No.	Description	
	1	<b>14535</b>	Cover seat, white	
	1	<b>14556</b>	Cover seat, blue	
	2	<b>14593</b>	Cover backrest, white	
	2	<b>14595</b>	Cover backrest, blue	
	1+2	<b>14980</b>	Cover set (seat and backrest), white	
	1+2	<b>14981</b>	Cover set (seat and backrest), blue	
	3	<b>14592</b>	Seat complete, without cover	
	4	<b>14453</b>	Sideflap	
	5	<b>14041</b>	Blind rivet 3,2 x 9,5	
	6	<b>11548</b>	Hinge, drill-hole 3,2 mm	
	7	<b>10933</b>	C-rail cover	
	8	<b>10829</b>	Cap	
	9	<b>15072</b>	Suction cups with toggle (pair)	
	10	<b>15071</b>	Screw-in suction cups (pair)	
	10	<b>15189</b>	Set of screw-in suction cups, ø 8 cm (4 pcs)	
	9+10	<b>15353</b>	Set of suction cups (pair with toggle / pair of screw-in suction cups), ø 8 cm	
	not. ill.	<b>16240</b>	Set of suction cups large, 130 mm (4 pcs incl. 2 adapter inserts)	
	11	<b>15121</b>	Lid for suction cup	
	12	<b>14462</b>	U-clamp	
	13	<b>14377</b>	Backrest complete, without cover	
	13	<b>14452</b>	Backrest, frame only	
	14	<b>15815</b>	Actuator complete (motor, pulley assembly, spindle foot)	
	15	<b>15829</b>	Pulley assembly incl. screws and nuts	
	16	<b>14468</b>	Motor bolt	
	17	<b>15687</b>	Circuit board motor control	
	18	<b>16093</b>	Casing for actuator	
	19	<b>14457</b>	Gasket for casing	
	20	<b>14451</b>	Compression cup	



Serial number 662527 or higher

