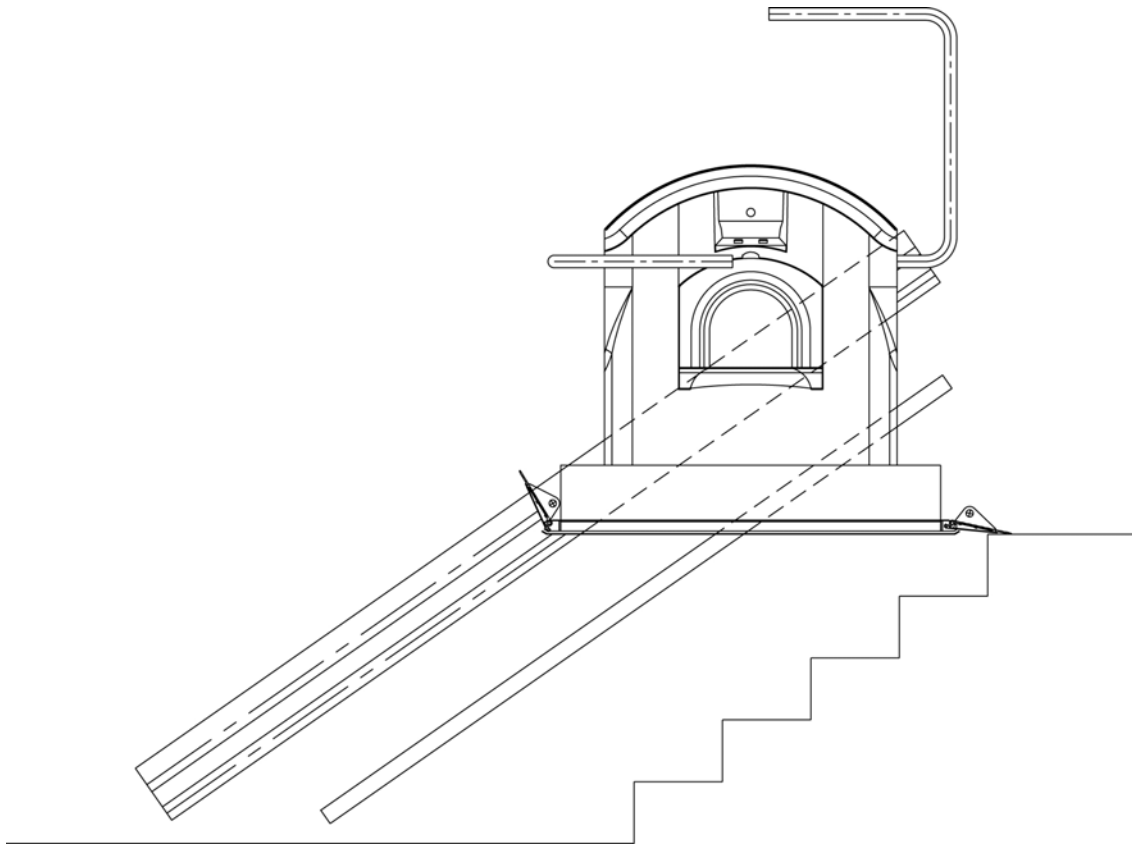


Garaventa Xpress II

Inclined Wheelchair Platform Lift

Owner's Manual



10485 Revision E

Table of Contents

Safety First!	4
Reference Diagram	7
Operating Instructions	8
Additional Instructions for Optional Features	9
Fold-down Seat for Ambulatory Passengers	9
Emergency Stop	9
Remote Control	9
Manual Platform Safety Stop	9
Instructions for Emergency Manual Lowering	10
Maintenance	12
Warranty Information	13
Specifications	14

Congratulations on the purchase of your Garaventa Xpress II inclined platform lift. This lift has been designed, developed and manufactured to provide access to your building for many years to come.

We value your opinion...

Our products are designed to enhance lives. We value your opinion and invite you to share your comments with us. Write to us at:

In USA: Garaventa Accessibility
PO Box 1769
Blaine, WA
98231-1769

In Canada: Garaventa Accessibility
7505-134A St.
Surrey, BC
V3W 7B3
www.garaventa.ca

Web Site: www.garaventa.ca

Or, e-mail us at: productinfo@garaventa.ca

Before using your Garaventa Xpress II, please take a moment to read this manual carefully. This will ensure that you have a thorough understanding of how the Garaventa Xpress II operates. It will also enable you to take full advantage of its many features. We recommend that you save this manual for future reference. **Remember: The Garaventa Xpress II must be operated only by competent, qualified and responsible persons.**

Your authorized Garaventa representative is knowledgeable about the servicing requirements and safe operation of your Garaventa Xpress II. If you have any questions, contact your representative, or Garaventa Customer Service toll free at 800-667-7790 or 604-594-0422.

Your Authorized Garaventa Dealer is:

Name: _____

Address: _____

Telephone: _____

Record your Garaventa Xpress II serial number located on the name plate on the conveyance. Refer to this number, along with your platform type whenever you call your authorized representative about the Garaventa Xpress II.

Garaventa Xpress II serial number: _____



Safety First!

This warning symbol is used throughout the manual to draw your attention to instructions that must be carefully followed to avoid possible dangers.

The following procedures are important to ensure the safe operation of the Garaventa Xpress II:

1. ENSURE RESPONSIBLE USAGE

- The user must be knowledgeable in the safe operation of the Garaventa Xpress II.
- The Garaventa Xpress II must never be used for anything other than its intended use.
- Keep the operating keys in a safe place – do not leave them accessible to unauthorized persons.
- Remove the key from the platform and call stations when the lift is not in use.

2. DO NOT STAND ON THE PLATFORM

- If you are not using a wheelchair or scooter on the Garaventa Xpress II, use the fold-down seat provided for ambulatory passengers. Do not stand on the platform.

3. DO NOT PLACE HANDS BEHIND THE PLATFORM

- Passengers must never place their hands or fingers behind the platform.
- Passengers must remain seated at all times in their wheelchair or on a fold-down seat.

4. ALWAYS FACE THE DIRECTION OF TRAVEL

- When travelling downward, it is essential that the wheelchair is **always** facing the direction of travel. Failure to do so could result in injury to the passenger.

5. DO NOT OVERLOAD

- The rated load of the platform is 500 lbs (228 kg). Do not exceed this limit.
- **Only one passenger may use the Garaventa Xpress II at a time.** The attendant must not ride the lift with the user.
- The lift must not be used to carry freight.
- Misuse of the lift may place excessive stress on its components and will void your warranty.



Safety First!

6. AVOID CONTACT WITH MOVING PLATFORM

- Pedestrians walking up or down stairways must avoid contact with the moving platform.

7. EMERGENCY STOP

- The Garaventa Xpress II is equipped with an emergency stop button. To stop the lift in an emergency, press the red stop button on the platform control panel or on the attendant control.
- Emergency stop buttons may also be provided at the call stations (optional).

8. ADVANCED SAFETY FEATURES

- The Garaventa Xpress II is equipped with several advanced safety features:
 - A seven-inch-high sidewall and non-skid deck surface to ensure the wheelchair remains securely positioned on the platform.
 - Touch-sensitive ramps and plates that stop the lift if an obstruction is encountered.
- Do not override any safety feature or make electrical or mechanical alterations or repairs to the Garaventa Xpress II. Contact your authorized representative when servicing is required.

9. CHECK GARAVENTA STAIR-LIFT REGULARLY

- Routine preventive maintenance checks are wise and may save you money over the long term. Report any abnormal operation to your authorized Garaventa representative or to Garaventa Accessibility.
- Do not operate the Garaventa Xpress II if it has been damaged. If you hear unusual noises or feel unusual vibrations, call your authorized Garaventa representative.
- Any requirements of local inspectors should be ascertained and followed, along with any advice from your authorized Garaventa representative or Garaventa Accessibility.

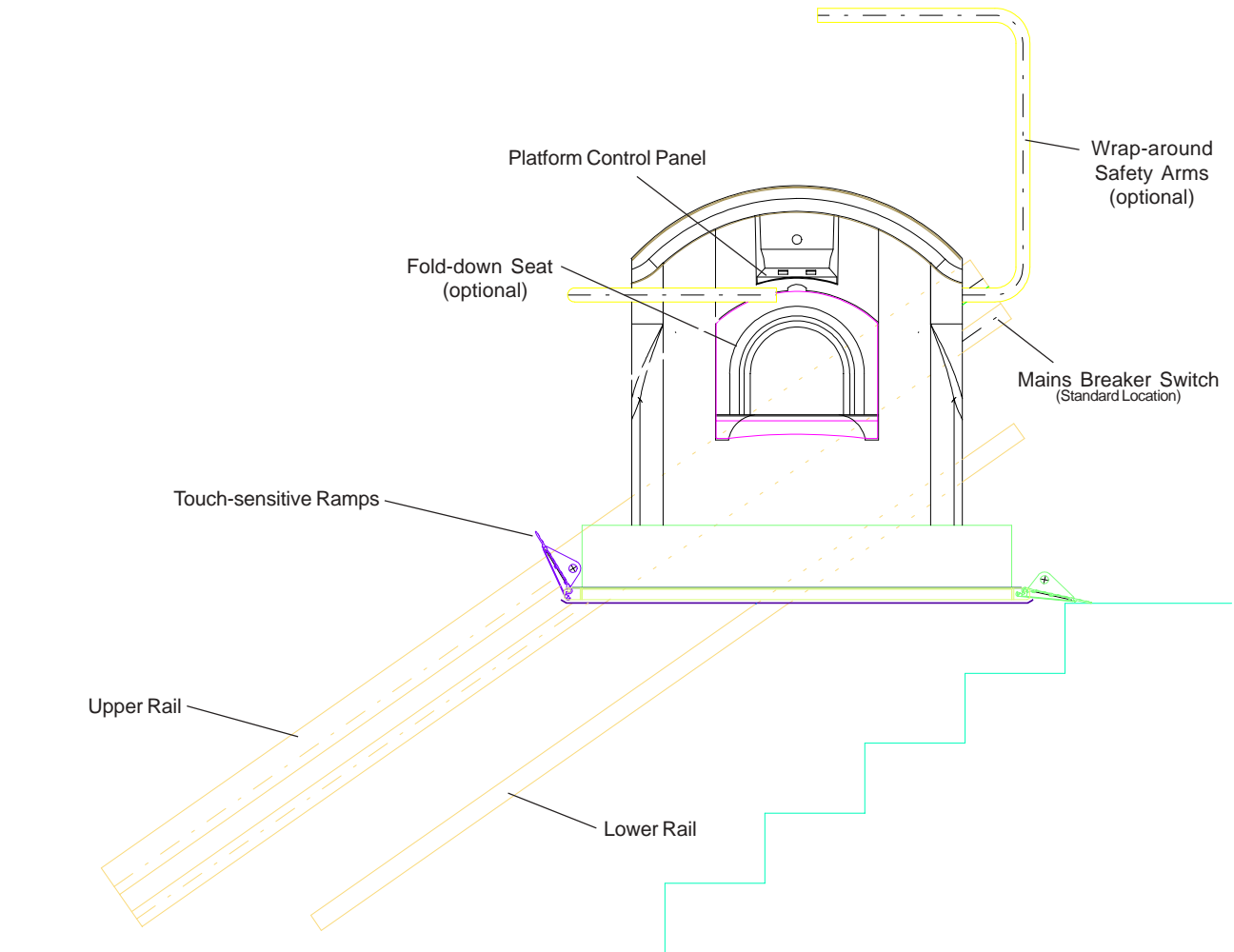


Safety First!

10. OTHER SAFETY CONSIDERATIONS

- Any fold or unfold function may be interrupted by pressing the call station button once.
- Platform controls will take a priority over call station commands at all times.
- The lift is equipped with touch-sensitive ramps. Please ensure that all ramps and wrap-around safety arms (if equipped) are in the correct position for travel. Do not rest anything on the ramps while travelling.
- Should the lift stop during travel, do not attempt to leave the platform. Check the touch-sensitive ramps for obstructions or summon help.
- All fold functions are protected from circuit overload by current sensors. If any folding component stops due to overload, remove the obstacle and press the directional button once to restart the fold function.

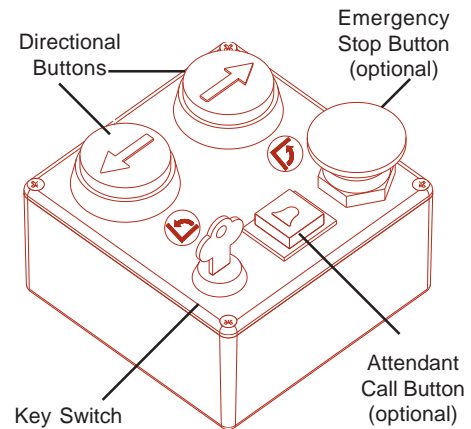
Xpress II Reference Diagram



Operating Instructions

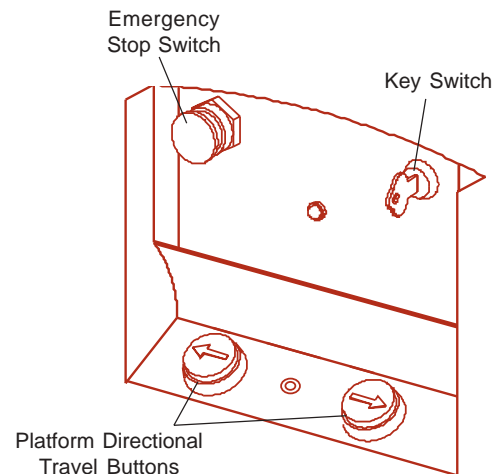
Call Station

- ① Check to make sure no one else is using the lift. If the lift is already at your landing, proceed to step 4.
- ② If the platform is at the other station, insert your key into the key switch and turn to the "On" position. Press and hold the call button.
- ③ Once the lift reaches your landing, release the button. The unit will unfold automatically. Remove your key from the station and take it with you.
- ④ Once you have boarded the lift, lock your wheelchair brakes. If you are using the fold-down seat, fasten your seat belt before operating the lift.



Platform Controls

- ⑤ Insert your key in the key switch located above the directional buttons. Turn your key to the "On" position. This should illuminate the directional buttons.
- ⑥ Press and hold the appropriate directional button to travel to your desired landing.
- ⑦ Once you reach your desired landing, release the directional button. The wrap-around safety arms (if equipped) and ramps will open automatically to allow you to exit the platform.
- ⑧ Turn your key to the "Off" position and remove it before leaving the platform.



Platform

Call Station

- ⑨ Insert your key into the key switch and turn to the "On" position. Press the call station button once to fold the platform up. Remove your key.
- ⑩ The directional buttons may also be used to send the platform to the other landing.

Additional Instructions for Optional Features



Fold-down Seat for Ambulatory Passengers

- To use, fold the seat down and fasten the seat belt before operating the lift.
- When exiting the platform, tuck the seat belt back into the holder provided.
- Fold the seat back up and secure with velcro strap.

Caution: Ensure that the seat is folded up before attempting to fold the platform.

Emergency Stop

- An Emergency stop button is located on the platform control panel.
- The emergency stop button must be manually reset by turning the button clockwise.

Remote Control

- To use, attach the remote control to the jack located between the two directional buttons on the platform.

Note: Once the remote control is attached, the remote control buttons override the platform control buttons.

Manual Platform Safety Stop



- In the case of an emergency, manually lift the platform into the folded up position. Secure the platform using the strap located on the back of the lift. The strap has a hook or snap to be attached to the outside of the kickplate.

Instructions for Emergency Manual Lowering

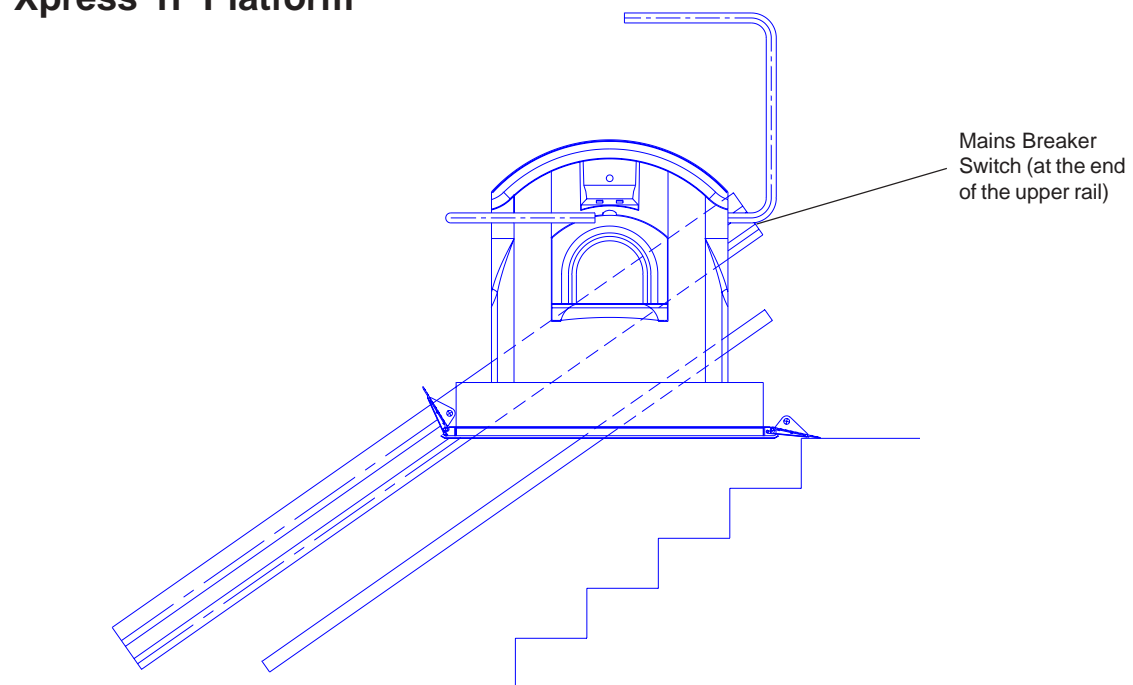
If the lift stops while occupied, the emergency handwheel should be used to move the platform to the desired location.

To operate the emergency manual lowering system, you may wish to refer to the following illustrations while proceeding with these steps:



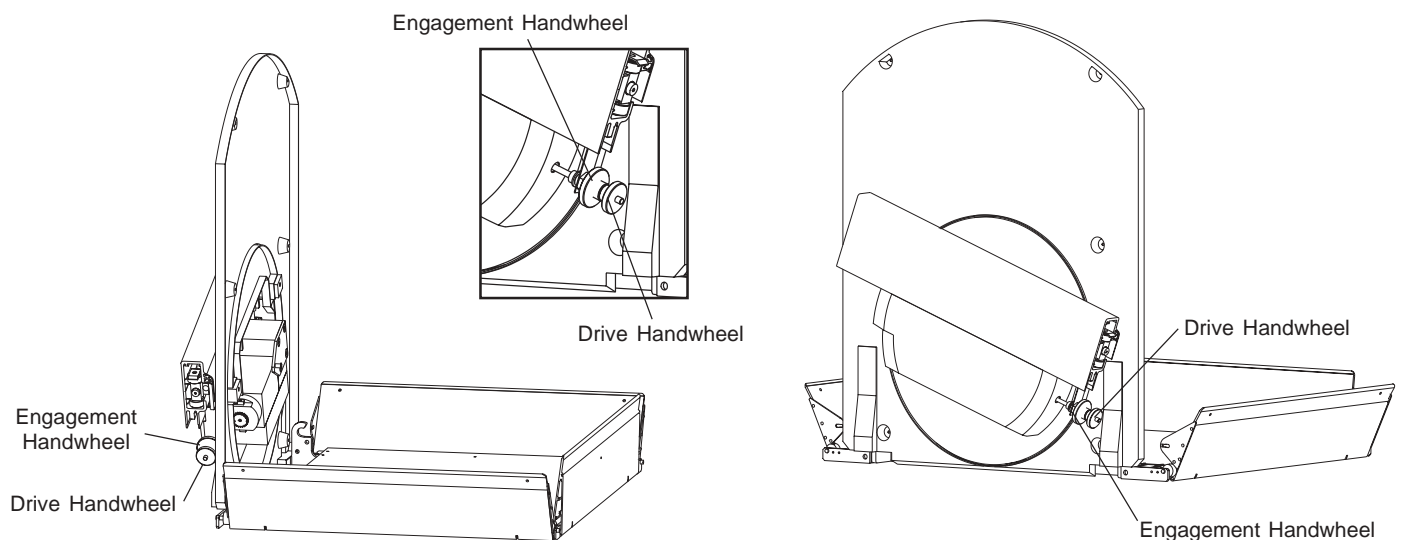
- ① Turn off the mains breaker switch at the end of the upper rail (**Warning: We do not recommend that you lock the switch in the “ON” position with a padlock** when the lift is in normal use. If you do so, you **must** ensure that the padlock key is accessible).
- ② Locate the manual lowering handwheel on the left hand side behind the platform. The handwheel must be engaged in the motor drive before it will move the lift.
- ③ To engage the handwheel, turn the inside wheel indicated in the drawing (refer to page 11), in a clockwise direction. Be careful not to force this wheel while turning. To help engage the hand wheel, turn the outside handwheel carefully while turning the engaging wheel. You will feel the gears of the system engage. (Continue to turn the engaging wheel until it stops - the handwheel is now engaged).
- ④ By turning the handwheel clockwise or counterclockwise, the lift will move up and down the stairs.

Garaventa Xpress II Platform



Instructions for Emergency Manual Lowering

- ⑤ Continue turning the handwheel until you have moved the platform to the desired landing. Be careful not to go past the landing position. At the top landing, the platform will be level with the upper floor. At the bottom landing, the underside of the platform will touch the lower floor.
- ⑥ Once the platform reaches the landing, disconnect the ramp linkages by opening the clips at the end of the ramp operating cables. The ramp will then lower to the floor.
- ⑦ To raise the optional safety arm, push the safety arm inwards towards the hanger and pivot it into an upright position. It will stay in the raised position once you release the inward pressure. The passenger will then be able to exit the platform.
- ⑧ Manually raise the platform into an upright position and hold it in place using the strap on the back of the platform. To do this, bring the strap over the top of the platform and clip it to the ring on the side ramp kick plate. **Note: This strap is to be used only in the event of an emergency!**
- ⑨ Ensure the mains breaker switch is in the 'Off' position.
- ⑩ Phone your authorized Garaventa representative for assistance.



Maintenance

Preventive checks and routine maintenance are essential to keep your Garaventa Xpress II in proper working order and may save you money over the long term.

It is the responsibility of the lift owner to ensure that maintenance is performed on a regular basis. It is recommended that a thorough servicing be carried out by your authorized Garaventa representative every three months or twenty-five hours of use, whichever comes first.

Your Garaventa representative has the training, expertise and parts to keep your Garaventa Xpress II operating properly for many years. Ask your local representative about our Preventive Maintenance Agreement. This agreement will ensure that your lift will be properly maintained, and that the life of your Garaventa Xpress II will be extended. Depending on the length of this agreement, your warranty could be extended to three or five years. **(Refer to page 13).**

Remember to report any significant problems, such as unusual noises or vibrations, to your representative or Garaventa Accessibility. Do not operate the lift under these conditions. Between your representative's service calls, the owner can assist with the maintenance of the lift by checking the following points:

- Ensure that the extrusions, platform and other elements of the system are kept free of dirt, grease, wax and water.
- Contact your representative immediately if structural bolts and anchors appear to be loose.
- Check the safety features described in this manual. For example, ensure that the touch-sensitive ramps and plates (under the platform) stop the lift when met by an obstruction.
- Ensure the lift is operated periodically – it should be run at least once a week.

Warranty Information

Garaventa warrants the Garaventa Xpress II to be free from defects in materials and workmanship under normal use and service for a period of one year from the date of installation, reasonable wear and tear excluded. Proof of the date of installation is required to determine the warranty period. See the warranty registration package for information on how to complete the warranty registration form.

This warranty does not extend to any Garaventa Xpress II unit which has been subjected to misuse, neglect, accident, modification, or damage from fire, lightning, or water, or used in violation of the instructions furnished, nor units repaired or altered by other than an authorized Garaventa dealer.

Garaventa's liability hereunder is limited to repair or replacement only. Transportation and labor charges are not covered. Garaventa accepts no liability for any loss or damage resulting from the use or misuse of the Garaventa Xpress II, whether such loss or damage is direct, indirect or consequential. All other express or implied warranties, statutory or otherwise, are excluded.

Warranty Registration

A warranty registration form and return envelope are enclosed with this Owner's Manual. It is very important that the registration form is completed and returned within ten days of the completion of your Garaventa Xpress II installation. Failure to complete the warranty registration may affect the warranty coverage of the equipment. Talk to the installer or to your dealership about the warranty registration process.

Extended Warranty Protection

Ask your authorized Garaventa representative about our Extended Warranty Protection Plan to extend the life of your Garaventa Xpress II. Simply sign a Preventive Maintenance Agreement with your authorized Garaventa representative and send an Extended Warranty Protection Registration form to Garaventa **within 30 days** of the date of installation. Your Garaventa Xpress II will then be warranted for three or five years, depending on the time specified in your Preventive Maintenance Agreement. As with any electronic or mechanical equipment, regular maintenance checks and an extended warranty could save you money over the long term. To ensure that your Garaventa Xpress II is kept in good operating condition, we recommend signing a Preventive Maintenance Agreement and extending your warranty protection.

Specifications

Platform:

Platform Size:	Width of deck	800mm	(31.5 in)
	Length of deck (two sizes)	1000mm	(39.4 in)
	1220mm	(48.0 in)
	Length of end ramps*	185mm	(7.28 in)

* Length of ramp 185mm with the option of a 65mm extension to yield a 250mm long ramp

Rated load: 228 kg (500 lbs), with a five times safety factor.

Speed: Up: 4 meters (13 ft) per minute, Down: 4.9 meters (16 ft) per minute, with a soft-start/stop transition to/from rated speed.

Equipped with: Non-slip surfaces on the deck and ramps.
Power fold mechanism for the arms, ramps and platform.
Platform protects the conveyance control switches when in the folded position.

Conveyance Option: Ambulatory fold-down seat, complete with safety belt.

Operating Controls: Constant pressure switches for direction, momentary switches for platform fold and unfold, 24 VDC.

Drive System:

Motor: 0.75 H.P., 208-240 VAC, controlled by a frequency inverter and positioned within the conveyance.

Power Transmission: Worm gear reduction to a pinion moving on a fixed gear rack.

Emergency Use: A handwheel is provided, so that the platform may be moved to the nearest landing, in case of a power failure.

Rail System:

Main Upper Rail: Bronze anodized aluminium extrusion weighing 8lbs per foot, with integrally mounted zinc-plated gear rack.

Lower Rail: 1.5" x 2.5" bronze anodized aluminum extrusion.

The system can accommodate slopes from 10° to 50°.

Overspeed Safety: Located on the upper carriage of the platform, containing mechanical overspeed sensor and lock, with electrical drive cut-out protection.

Finish:

Upper and Lower Rail: Bronze anodized aluminum.

Hanger: Zinc plated frame within a vacuum formed ABS cover.

Platform: Zinc plated frame with mono color powder coated surfaces and bronze anodized ramps and side kickplates.

Note: *The United States ADA Accessibility Guidelines specify a minimum platform size of 48 x 30 inches (1220 x 760mm), unless technically infeasible.*

Specifications are subject to change without notice.