

CHAPTER 11 : OXFORD POOLSIDE DIPPER



Sunrise Medical is ISO 9001 certified, which ensures quality at all stages of the development and production of this hoist.

Contents

MODEL	SERIAL NO. RANGE	PAGE
OXFORD POOLSIDE DIPPER		11.3

IMPORTANT

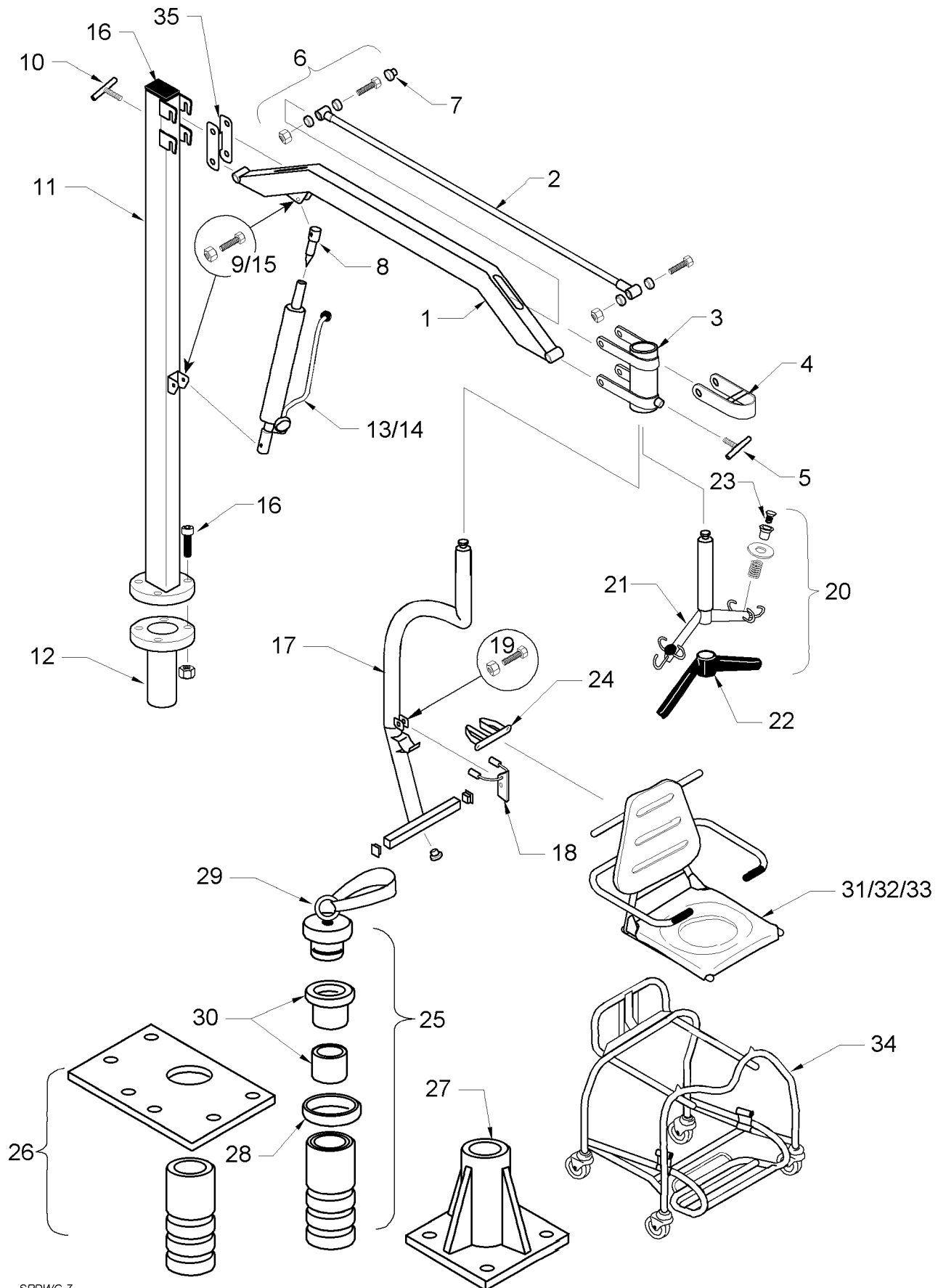
IT IS POTENTIALLY HAZARDOUS TO FIT OR USE ANY PARTS OTHER THAN GENUINE SUNRISE MEDICAL PARTS. THE COMPANY DISCLAIMS ALL LIABILITY FOR THE CONSEQUENCES OF SUCH USE, WHICH IN ADDITION VOIDS THE MACHINE WARRANTY.

THIS HOIST IS FOR THE CARRIAGE OF ONE PERSON AND MUST NOT BE USED FOR ANY OTHER PURPOSE.

OXFORD POOLSIDE DIPPER



This illustration and accompanying text set out in this Document is the Property of SUNRISE MEDICAL LTD. and must not be copied or used for manufacturing, tendering or any other purpose without their permission.



SPDWG 7

OXFORD POOLSIDE DIPPER

ITEM NO.	PART NO.	DESCRIPTION	QTY	SERIAL NO.
1	DT-1120	BOOM ONLY	1	
2	DT-1132	LINK ROD	1	
3	DT-1173	CHAIR SUPPORT SOCKET	1	
4	DT-1176	SAFETY LATCH - CHAIR SUPPORT	1	
5	808003.10108	"T" BAR SCREW - SMALL -	Kit	
6	808003.10109	BOOM FIXINGS & FITTINGS	Kit	
7	000322.41030	10mm WHITE PLASTIC CAPS	20	
8	DT-1229	RAM EXTENSION	1	
9	808003.10110	RAM/BOOM FIXING	Kit	
10	808003.10111	"T" BAR SCREW - LARGE -	Kit	
11	808003.10112	MAST ONLY -	Kit	
12	808003.10113	MAST PIVOT PIN	Kit	
13	HY-3572	DIPPER HYDRAULIC UNIT	1	
14	808003.10114	DIPPER HYDRAULIC UNIT - SERVICE EXCHANGE	1	
15	808003.10115	RAM/MAST FIXING	Kit	
16	808003.10116	MAST FIXINGS & FITTINGS	Kit	
17	808003.10121	CHAIR SUPPORT TUBE COMPLETE	Kit	
18	808003.10117	SAFETY LATCH - SEAT -	Kit	
19	808003.10118	CHAIR SUPPORT TUBE FIXINGS & FITTINGS	Kit	
20	DT-2413	DIPPER SPREADER BAR COMPLETE ASSEMBLY	1	
21	DT-2410	SPREADER BAR	1	
22	EM-2993	SPREADER BAR COVER (BLACK)	1	
23	808003.10013	SLING RETAINER ASSEMBLY	Kit	
24	50074	SEAT SUPPORT BRACKET	1	
25	OP52000A	"A" SOCKET COMPLETE	1	
26	OP52000B	"B" SOCKET COMPLETE	1	
27	OP52000C	"C" SOCKET COMPLETE	1	
28	DT-2434	SOCKET SURROUND	1	
29	808003.10119	SOCKET BLANKING PLUG	Kit	
30	808003.10120	SOCKET BEARING SET	Kit	
31	OP83004	RANGER SEAT - COMMODE	1	
32	OP83005	RANGER SEAT - PLAIN	1	
33	OP83006	RANGER SEAT - MD	1	
34	OP83007	RANGER TRANSPORTER	1	
-	50070	FULL HARNESS SET	1	
-	50071	LAP STRAP	1	
35	DT-1270	BOOM CARRIER	1	

This page is intentionally blank